

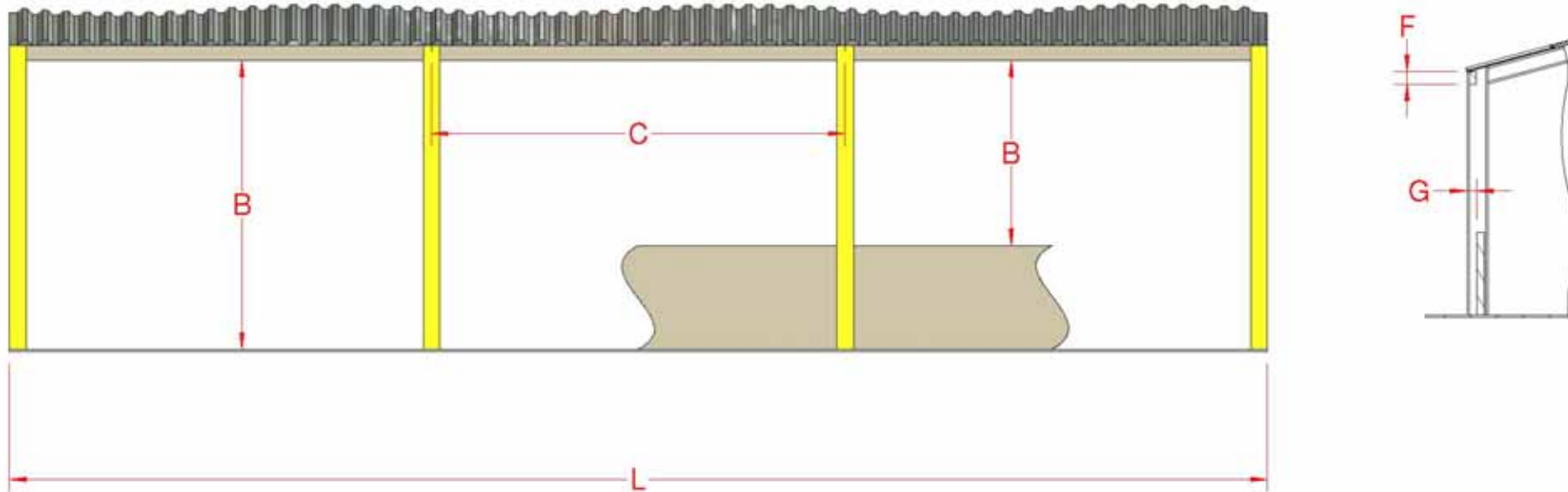
Multibay Access and Ventilation



ENG

Pre-Installation Instructions





SYSTEM LENGTH (L) – maximum (see table)

VENTILATION HEIGHT (B)	MESH	SOLID	TYPE
Up to 1m	70m	70m	Bottom Rolling
Up to 2m	60m	55m	Bottom Rolling
Up to 3m	54m	48m	Bottom Rolling
Up to 4m	48m	42m	Bottom Rolling
Up to 5m	43m	39m	Middle Rolling
Up to 6m	40m	35m	Middle Rolling

BAY WIDTH (C)
6.0m maximum

UPPER MOUNTING SURFACE (F)
8cm minimum

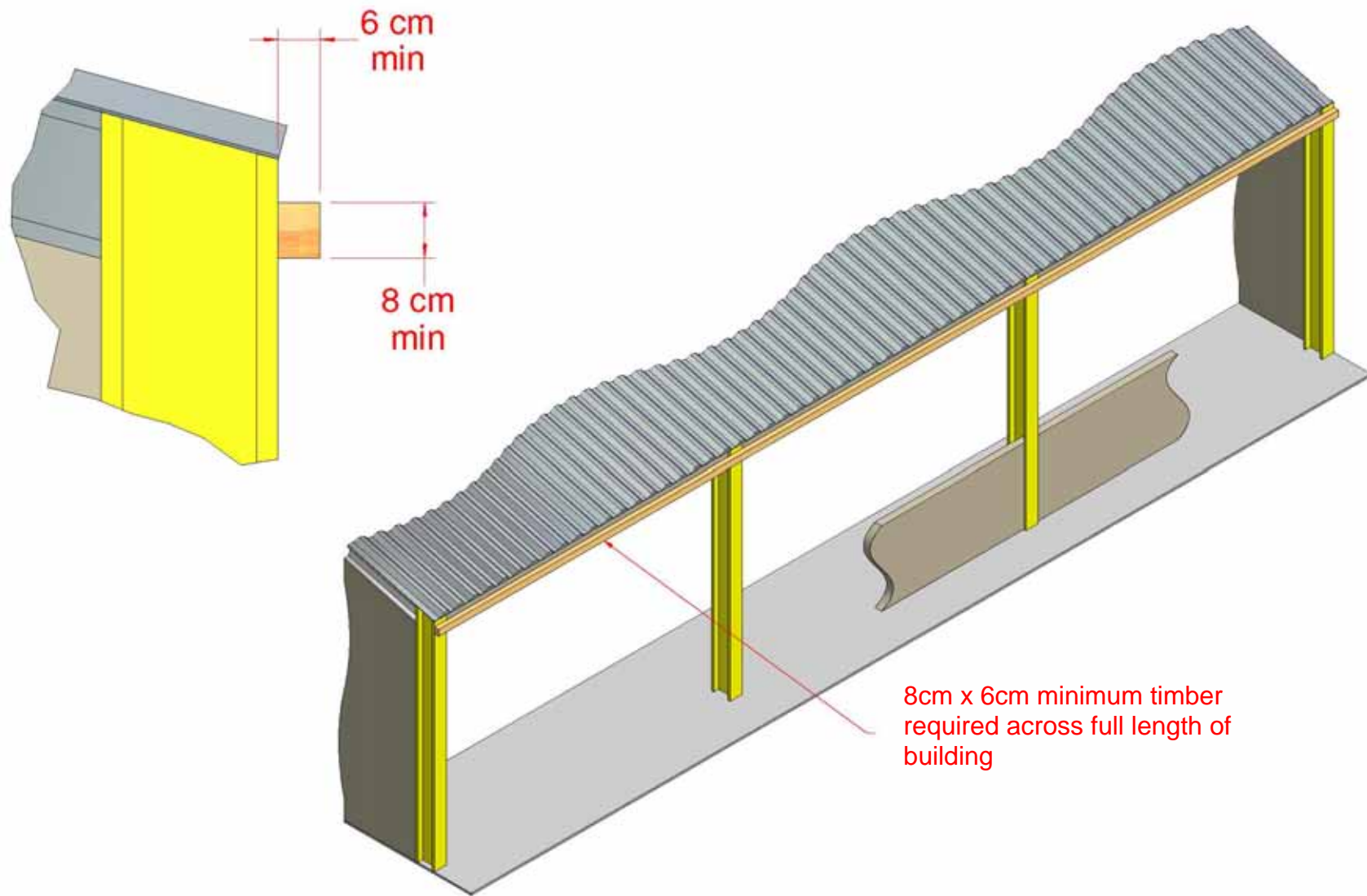
UPPER TO LOWER FACE OFFSET (G)
+/- 5cm maximum

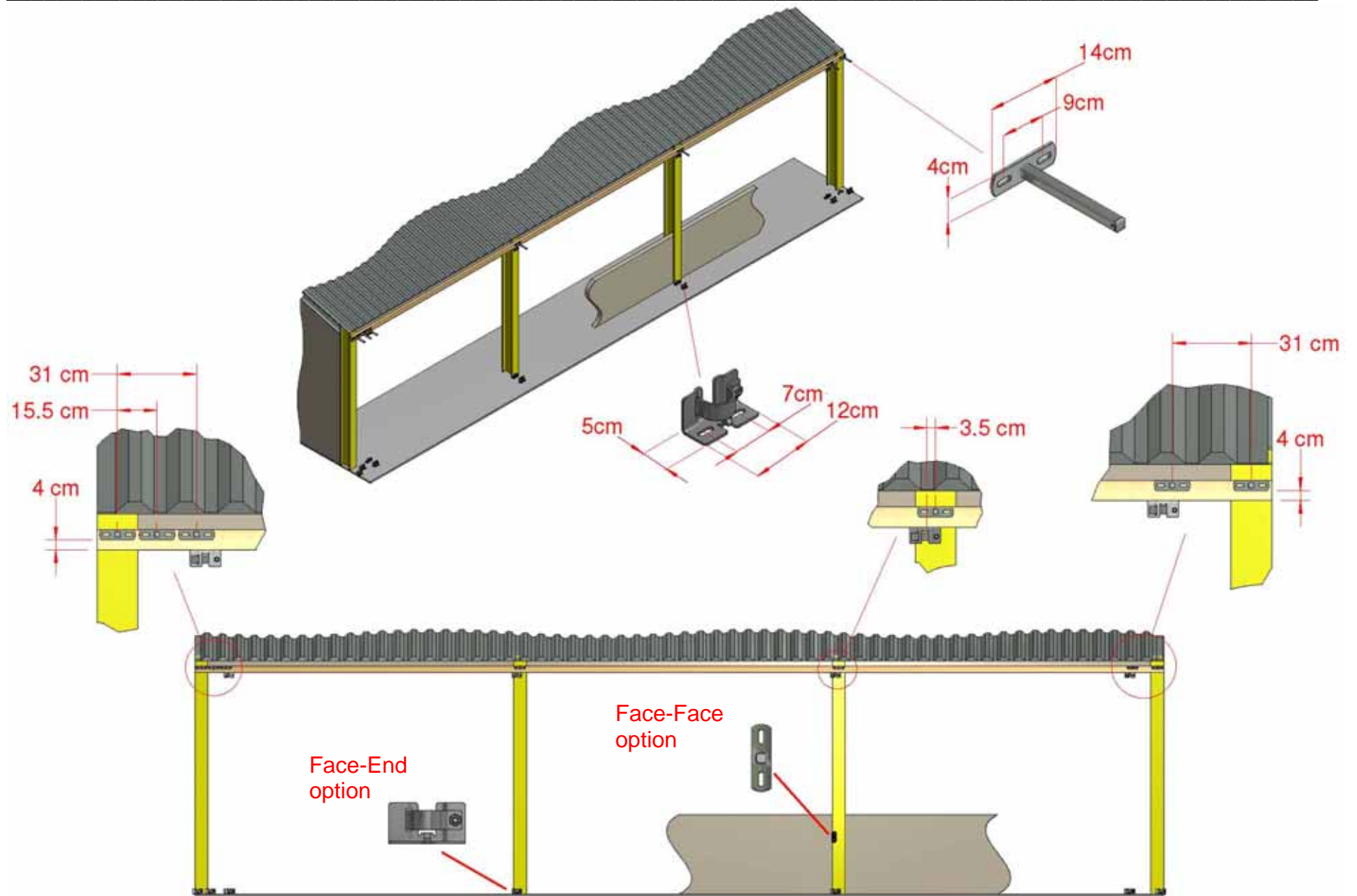
Wind Loadings

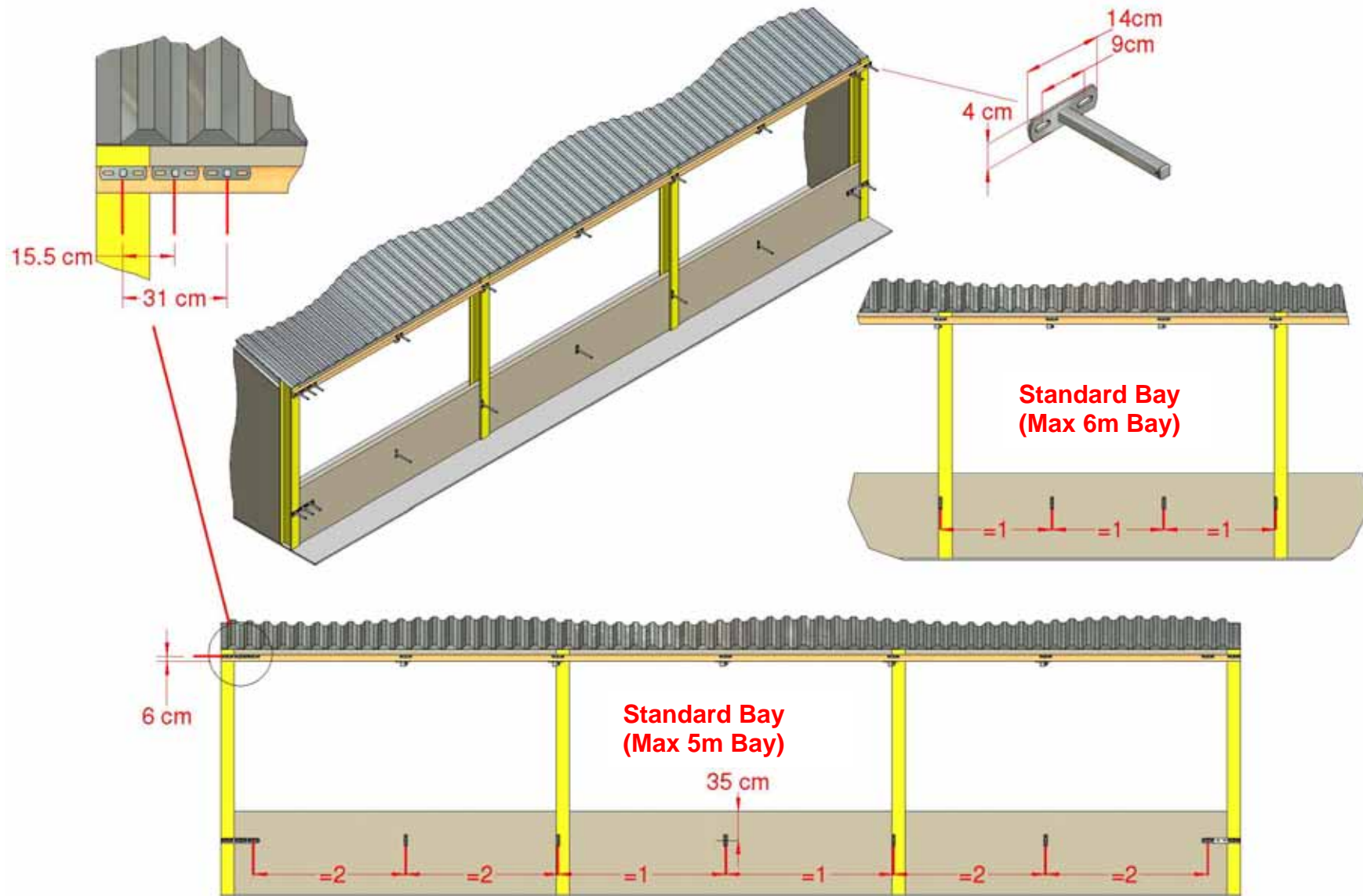
The structure to which the door is fitted needs to be of adequate strength to resist the following wind loads.

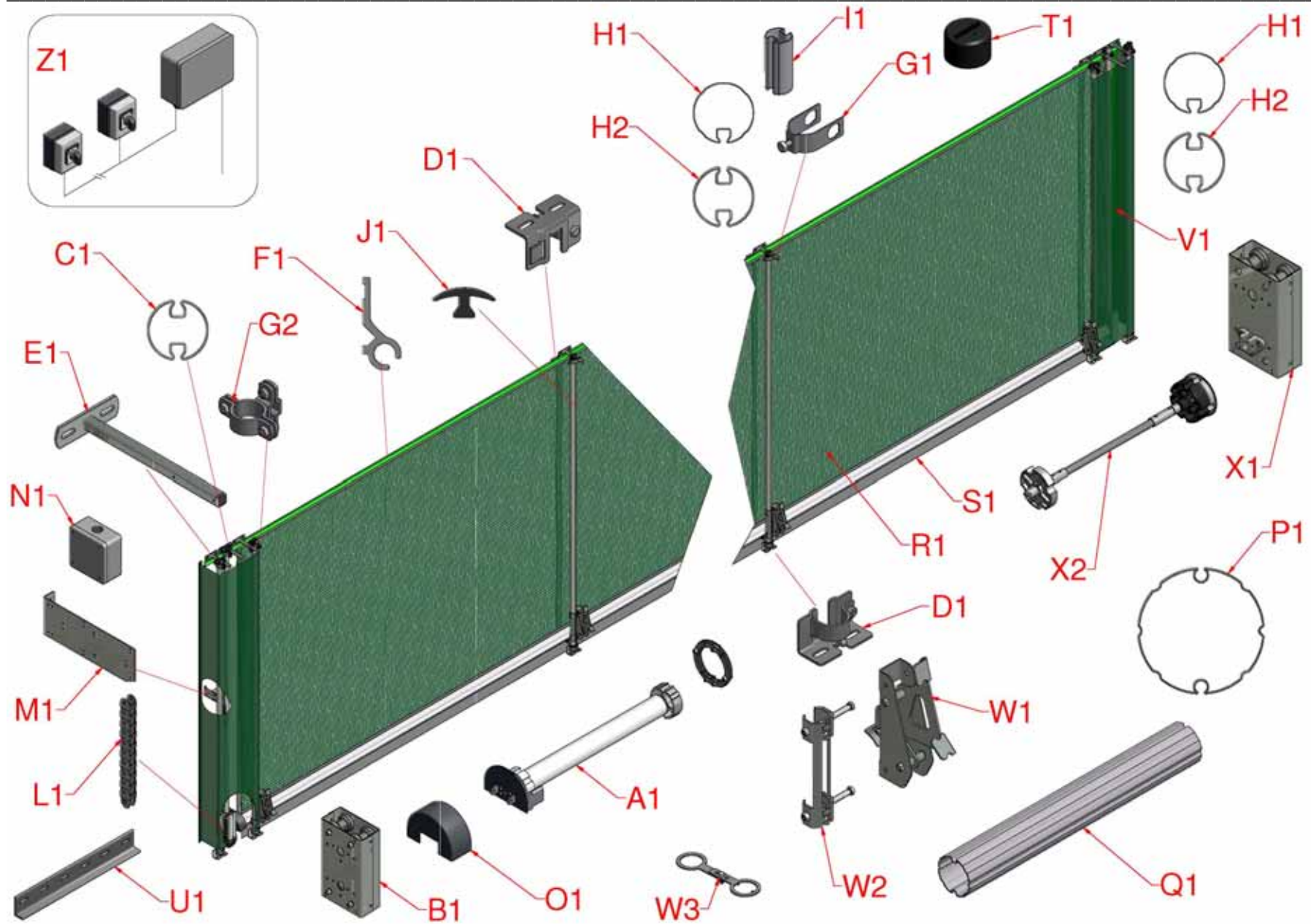
Wind Speed (km/hr)	Wind Load (N)*	Wind Load (Kg)*
70 km/hr	= L x B x 233	= L x B x 24
100 km/hr	= L x B x 481	= L x B x 49
140km/hr	= L x B x 933	= L x B x 95

**No allowance made for safety margins*

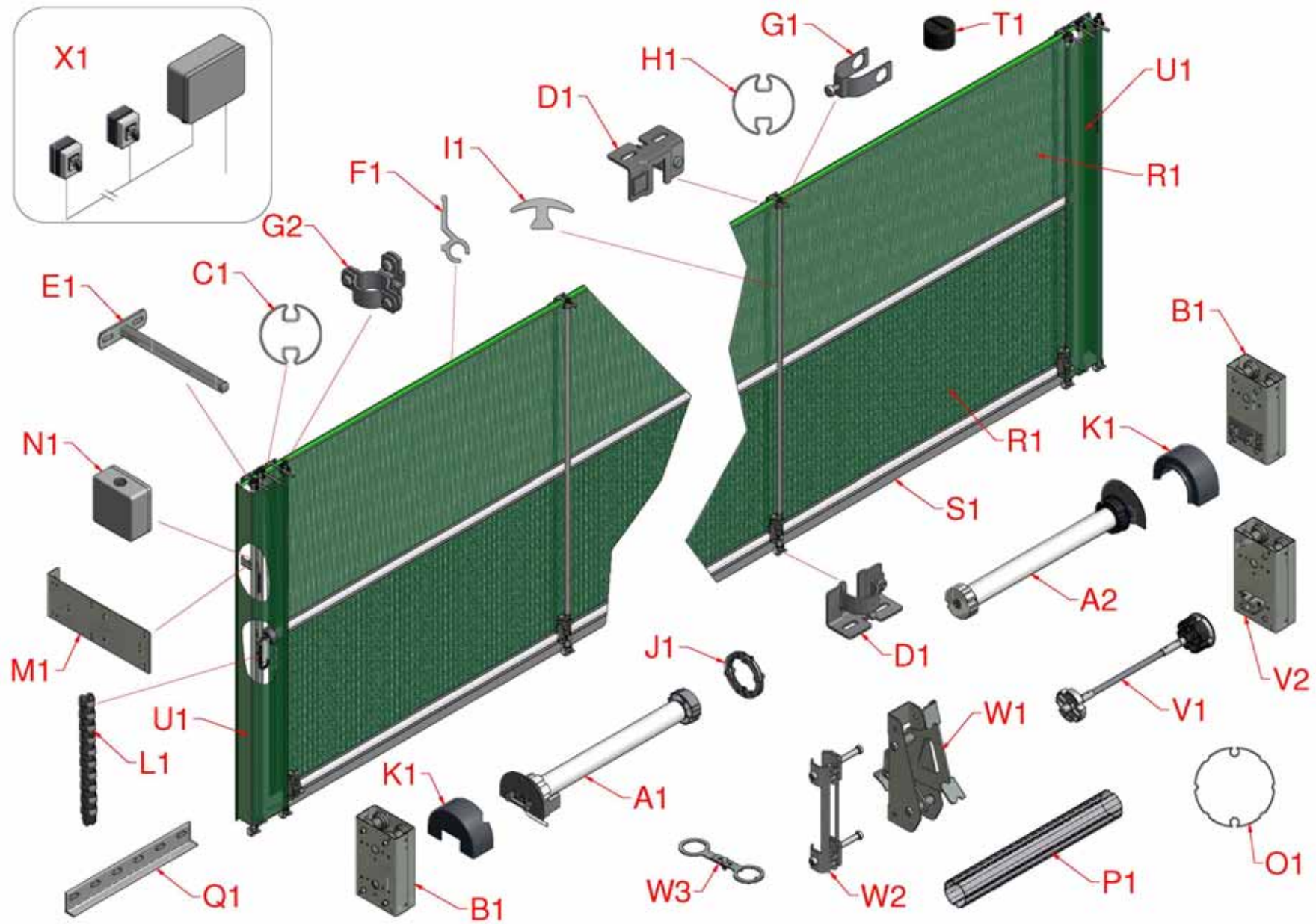








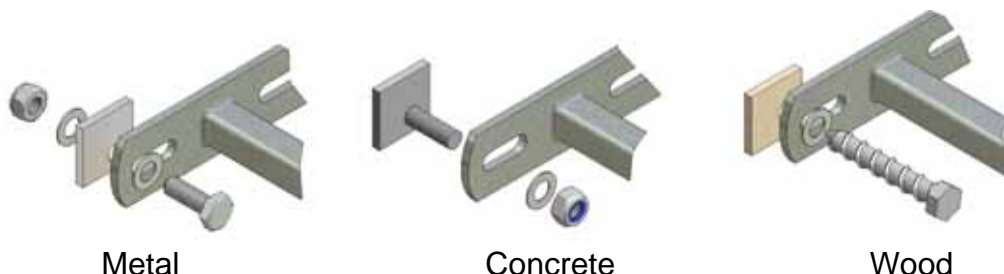
Note: Access Shown – Ventilation does not include W1, W2, W3.



Note: Not available for Ventilation

Bolts or screws for fixing the system to the building are not supplied; please refer to the following for requirements.

Control Tube Brackets (A1 & B1)



ENG

Access	Quantity of M10 fixings suitable for wood, concrete, metal	
	Face – End	Face – Face
Upper Brackets	= 10 + (4 x N)	= 10 + (4 x N)
Lower Brackets	= 10 + (4 x N)	= 8 + (2 x N)

Ventilation 5m bays	Quantity of M10 fixings suitable for wood, concrete, metal	
	Face – End	Face – Face
Upper Brackets	= 10 + (8 x N)	= 10 + (8 x N)
Lower Brackets	= 10 + (8 x N)	= 8 + (4 x N)

Ventilation 6m bays	Quantity of M10 fixings suitable for wood, concrete, metal	
	Face – End	Face – Face
Upper Brackets	= 10 + (12 x N)	= 10 + (12 x N)
Lower Brackets	= 10 + (12 x N)	= 8 + (6 x N)

N=Number of Bays

For free end trolley box or twin motor drive add 6 fixings for Face-End and 4 fixings for Face-Face.



M6 Suitable for wood

Qty 2 per meter

Electrical

If a motor control switch is to be fitted at each end of the system a 3-core 1.5mm² cable will be required from the control box to the switch mounting position.

NOTE: This product has been designed and tested to European Standard EN 13241-1 with a resistance to wind load rating of Class 4. Tried and tested in the harshest weather conditions, a summary of our guarantee is as follows, see our website for full details:

- **Mechanical components:** 100% guarantee for two years, followed by an eight year graduated guarantee.
- **Electrical components:** 100% guarantee for two years, followed by a four year graduated guarantee.

RAIN INGRESS: Please note that in extreme weather conditions some moisture will penetrate a mesh material.

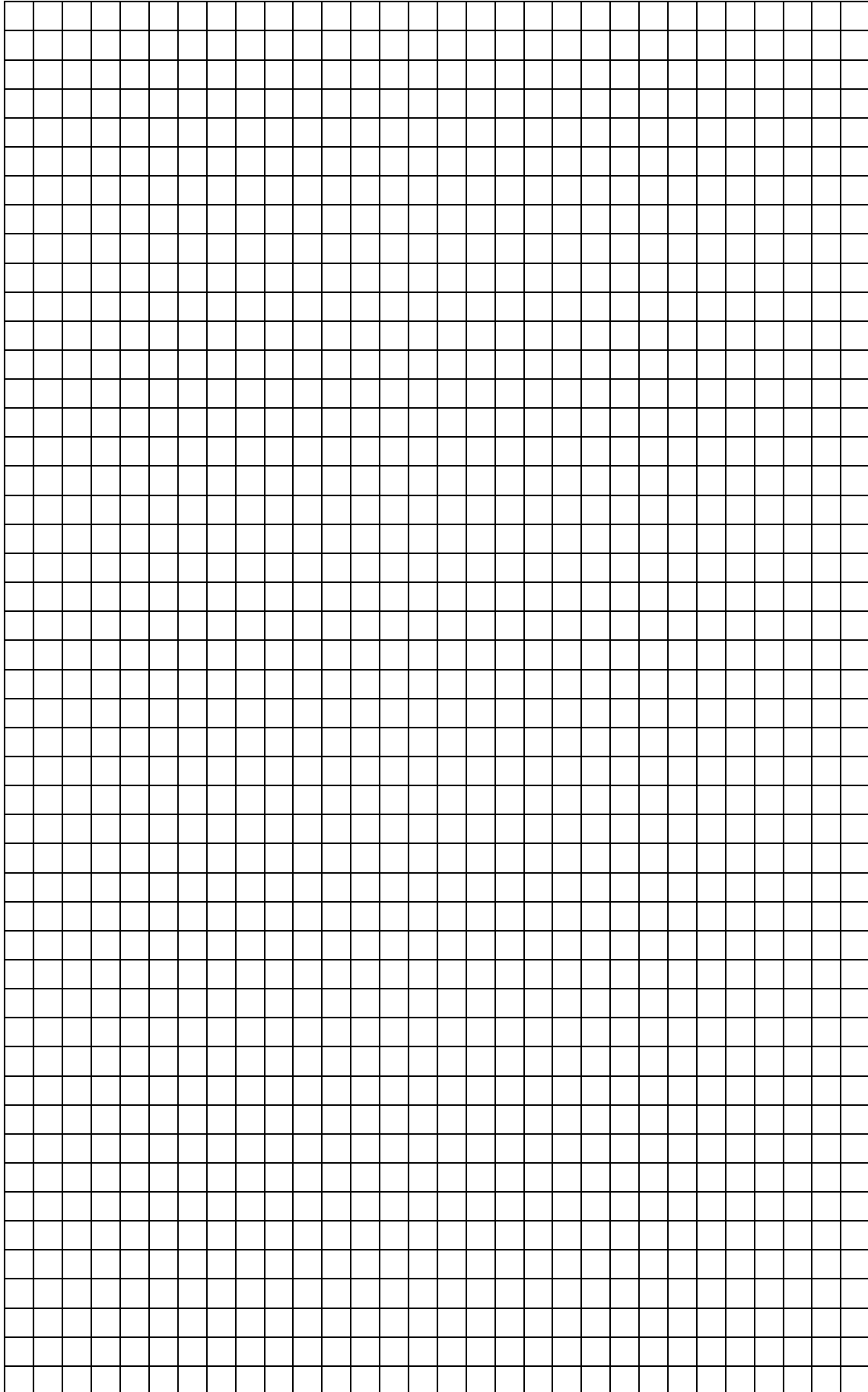
Wind Load Resistance:

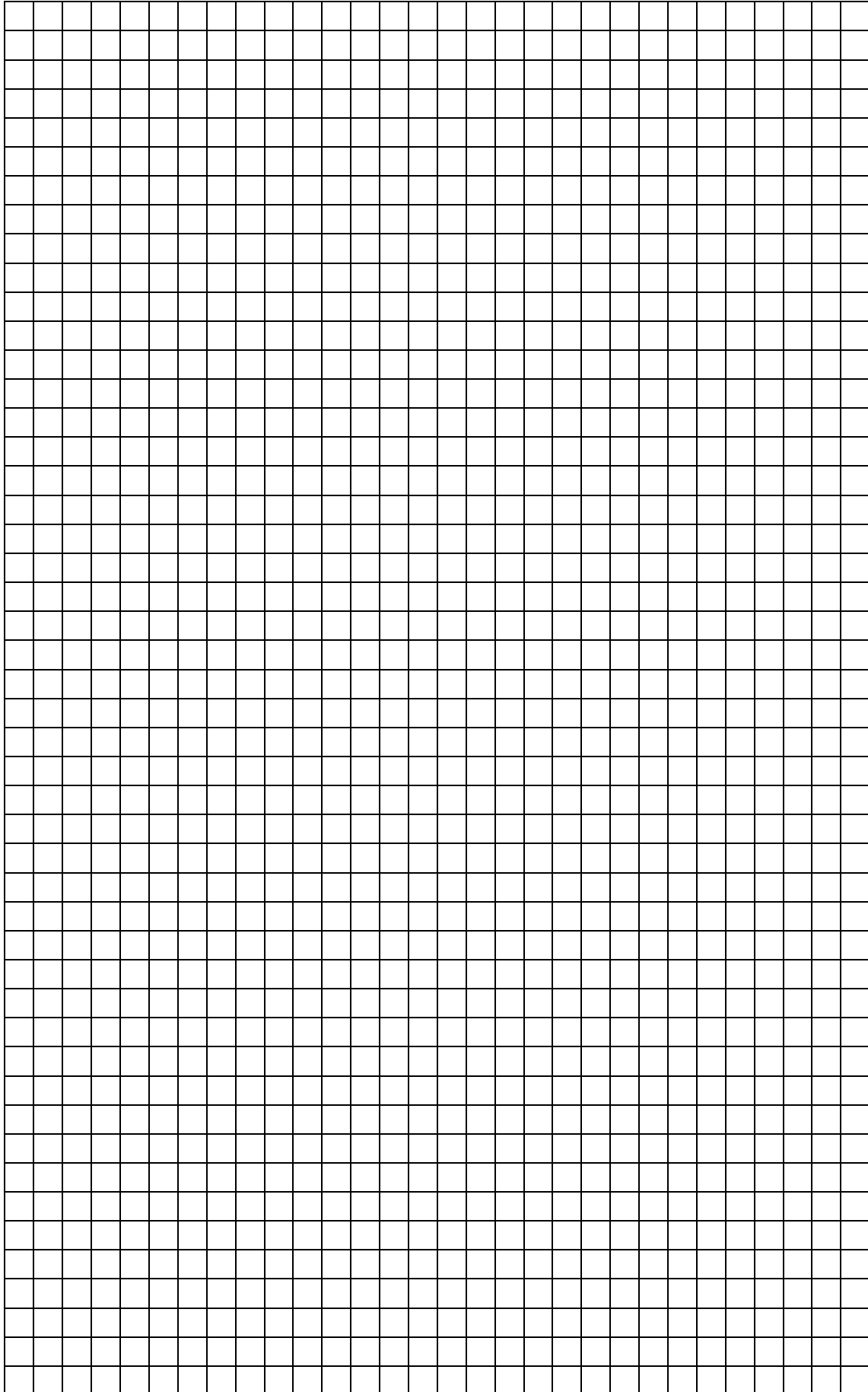
Mesh 75% Solid

Up to 4m = Class 4

Solid Material

Up to 4m = Class 4







Manufacturer: Galebreaker Agri Ltd **Tel:** +44 (0) 1531 637 900
Galebreaker House **Fax:** +44 (0) 1531 637 901
New Mills Industrial Estate
Ledbury
Herefordshire, UK
HR8 2SS

www.galebreaker.com

Designed and Manufactured in the UK by Galebreaker Agri Ltd.
Original Instructions

© Copyright Galebreaker Agri Ltd 2016. All Rights reserved.

Model Number MB-BR-E/MK5/1107

Instruction Ver: 2016/04/ENG