

## KIT DE RÉPARATION – PROCÉDURE DE RAPIÉÇAGE ÉCRANS ET PORTES AVEC MAILLE POLYESTER ENDUITE DE PVC

### CONTENU

FR

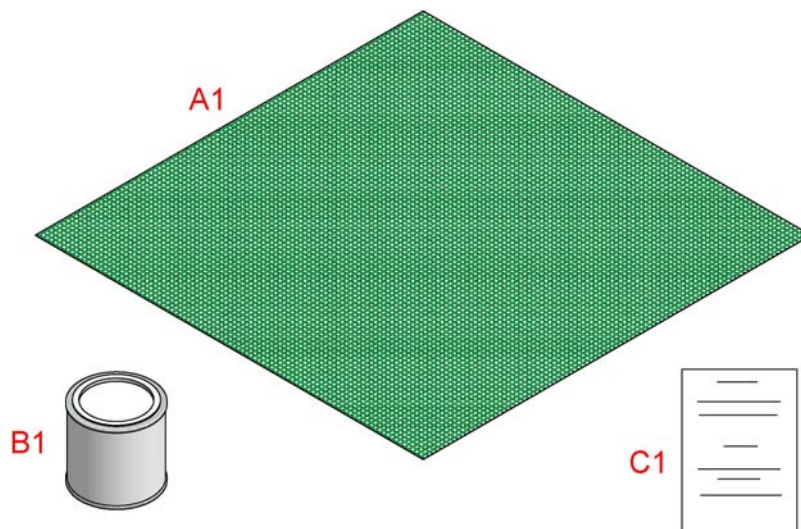


Figure 1, Contenu du kit de réparation

RÉFÉRENCE :	QTÉ	DESCRIPTION DU PRODUIT
A1	1	1 mètre carré de matériau enduit de PVC (pour correspondre au produit)
B1	1	Boîte de 250 ml d'adhésif 3206 (spécialement conçu pour s'adapter au matériau)
C1	1	Exemplaire des instructions de collage fournies par le fabricant de l'« adhésif 3206 »

### PROCÉDURE

- Mesurez la taille du trou, de la déchirure ou de la coupure en laissant une marge de 50 mm autour de la surface à réparer, comme indiqué à la Figure 2. Découpez une pièce de taille appropriée à partir de A1.

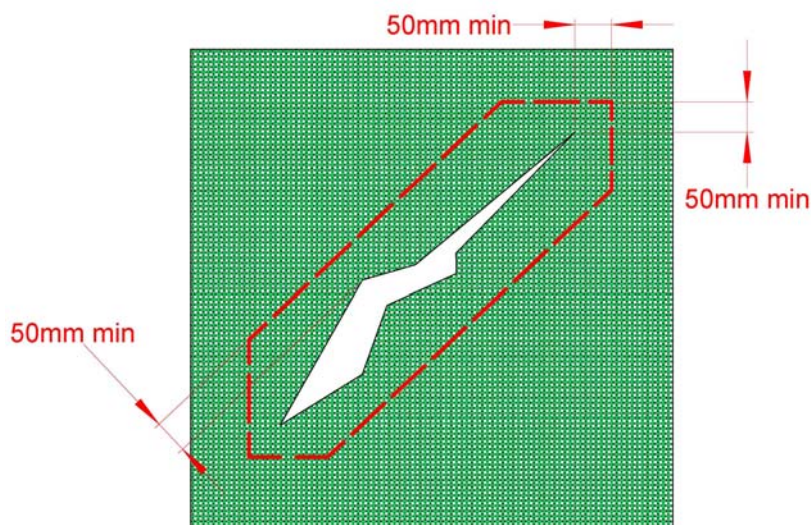


Figure 2, Découpe de la pièce de réparation



**MISE EN GARDE : avant de coller la pièce, familiarisez-vous avec les instructions fournies par le fabricant de l'adhésif.**

2. Appliquez l'adhésif en suivant les instructions sur un côté de la pièce de réparation et sur la surface entourant le trou, la déchirure ou la coupure à réparer, puis appliquez une pression constante pour maintenir la pièce en place jusqu'à ce que l'adhésif ait durci.



**ATTENTION : il est impératif que la surface à réparer soit propre et sèche avant d'appliquer l'adhésif.**

**REMARQUE : pour effectuer cette opération, il est conseillé d'enlever l'écran du bâtiment et de le placer sur une surface plane et propre.**

*Si vous avez besoin d'aide, veuillez appeler le service commercial de Galebreaker au +44 (0)1531 637900*

© Copyright GBR Industries Ltd 2009. All Rights reserved

**Ver. des instructions : 2009/09/FR**



Cleaner: Use BOSTIK M501 or N (M576) CLEANER/THINNER for surface cleaning, for the removal of surplus adhesive and for cleaning application equipment.

### TYPICAL CHARACTERISTICS

Physical Form:	Semi-viscous liquid
Colour:	Clear, slightly amber
Odour:	Predominantly ketone
Chemical Type:	Polyurethane/resin based solution
Solvent:	Mixture of acetone, toluene and methyl ethyl ketone
Viscosity:	3 Pa s (30 poise) approximately
Solids Content:	22% approximately
Specific Gravity:	0.9 approximately
Flammability:	Highly flammable
Flash Point: (Closed Cup)	In the group -18 to -7°C
Temperature Resistance:	-20 to +80°C (-20 to +100°C when cured with BOSTIKURE D).
Water Resistance:	Good
Oil, Petrol & Kerosene Resistance:	Good
Staining:	Generally non-staining but on light coloured, thin PVC very slight staining may occur under extreme conditions. <b>NOTE:</b> Exposed adhesive film turns brown.
Bond Strength:	2.8 MPa (400 psi) in shear, Formica/wood bond.

### PACKAGING

Please refer to Customer Service Department for current package sizes.

### STORAGE

Store in a dry flameproof area between 5 and 25°C. Keep from freezing.

### SHELF LIFE

1 year from date of manufacture, under the above conditions of storage.

### MATERIAL SAFETY DATA

For further information refer to the relevant Health and Safety Data Sheet.

---

This Product Data Sheet covers just one of a large range of products supplied by Bostik Findley Limited. Full information on these products and advice on application is freely available from our fully trained staff throughout the country. In addition, specialist technical advice is available from our Technical Services Department. This Product Data Sheet supersedes all previous technical information on this product, and users of it are cautioned to ensure that it is the current issue. Destroy all previous Product Data Sheets, and if any doubt, contact Bostik Findley Limited, quoting the code number in the top right hand corner on the front of this document. This leaflet is for general guidance only and may contain inappropriate information under particular conditions of use. The company cannot accept any responsibility for loss or damage that may result from the use of this information, due to the possibility of variations of processing or working conditions and of workmanship outside our control. Users are advised to confirm the suitability of this product by their own tests.

Bostik Findley Limited, Ulverscroft Road, Leicester, LE4 6BW England. Tel: +44 (0)1785 272727 Fax: +44 (0)116 253 1943

www.Bostik-Findley.co.uk

# SAFETY DATA SHEET

## BOSTIK 3206 ADHESIVE

### 1. IDENTIFICATION OF THE SUBSTANCE/PREPARATION AND COMPANY/UNDERTAKING

**PRODUCT NAME:** BOSTIK 3206 ADHESIVE

**SUPPLIER:** BOSTIK FINDLEY LIMITED  
COMMON ROAD  
STAFFORD. ST16 3EH  
STAFFORDSHIRE  
Tel: +44 1785 272727  
Fax: +44 1785 257236

**EMERGENCY TELEPHONES:** +44 1785 255141 +44 1785 272650

### 2. COMPOSITION/INFORMATION ON INGREDIENTS

NAME			CONTENT
<b>CAS No.:</b>	<b>EINECS Nr.:</b>	<b>CLASSIFICATION</b>	
TOLUENE			10-30 %
108-88-3	203-625-9	Xn ,F R-11, 20	
BUTANONE			10-30 %
78-93-3	201-159-0	Xi ,F R-11, 36, 66, 67	
ACETONE			10-30 %
67-64-1	200-662-2	Xi ,F R-11, 36, 66, 67	

The Full Text for all R-Phrases are Displayed in Section 16

### 3. HAZARDS IDENTIFICATION

Highly flammable. Harmful by inhalation. Irritating to eyes. Repeated exposure may cause skin dryness or cracking.

### 4. FIRST AID MEASURES

**INHALATION:** Remove victim immediately from source of exposure. Move the exposed person to fresh air at once. Get medical attention.

**INGESTION:** DO NOT induce vomiting. Get medical attention immediately.

**SKIN:** Promptly flush contaminated skin with water. Promptly remove clothing if soaked through and flush the skin with water. Wash skin with soap and water. Get medical attention if irritation persists after washing.

**EYES:** Rinse the eye with water immediately. Continue to rinse for at least 15 minutes and get medical attention.

## 5. FIRE FIGHTING MEASURES

**EXTINGUISHING MEDIA:** Fire can be extinguished using: Powder, foam or CO<sub>2</sub>.

**HAZARDOUS COMBUSTION PRODUCTS:** Fire or high temperatures create: Toxic gases/vapors/fumes of: Carbon dioxide (CO<sub>2</sub>). Carbon monoxide (CO).

**PROTECTIVE MEASURES IN FIRE:** Wear self contained breathing apparatus

## 6. ACCIDENTAL RELEASE MEASURES

**PERSONAL PRECAUTION IN SPILL:** Avoid skin and eye contact. Ensure adequate ventilation. Wear personal protective equipment. Wear self contained breathing apparatus. Avoid breathing vapour

**PRECAUTIONS TO PROTECT ENVIRONMENT:** Prevent entry into drains and water courses.

**SPILL CLEANUP METHODS:** Stop leak if possible without risk. Extinguish all ignition sources. Avoid sparks, flames, heat and smoking. Ventilate. Provide ventilation and confine spill. Do not allow runoff to sewer. Clean-up personnel should use respiratory and/or liquid contact protection. Wash thoroughly after dealing with a spillage. Absorb in vermiculite, dry sand or earth and place into containers. Should be prevented from entering drains. Collect spillage in containers, seal securely and deliver for disposal according to local regulations. Containers with collected spillage must be properly labelled with correct contents and hazard symbol.

## 7. HANDLING AND STORAGE

**USAGE PRECAUTIONS:** Keep away from heat, sparks and open flame. Avoid spilling, skin and eye contact. Ventilate well, avoid breathing vapours. Use approved respirator if air contamination is above accepted level.

**STORAGE PRECAUTIONS:** Flammable/combustible - Keep away from oxidizers, heat and flames. Ground container and transfer equipment to eliminate static electric sparks. Store at moderate temperatures in dry, well ventilated area.

**STORAGE CRITERIA:** Flammable liquid storage.

## 8. EXPOSURE CONTROLS AND PERSONAL PROTECTION

INGREDIENT NAME:	CAS No.:	STD	LT EXP 8 Hrs	ST EXP 15 Min
BUTANONE	78-93-3	OES	200 ppm(Sk)	300 ppm(Sk)
ACETONE	67-64-1	OES	500 ppm	1500 ppm
TOLUENE	108-88-3	OES	50 ppm(Sk)	150 ppm(Sk)

**PROTECTIVE EQUIPMENT:**



<b>VENTILATION:</b>	Explosion-proof general and local exhaust ventilation.
<b>RESPIRATORS:</b>	Respiratory protection must be used if air concentration exceeds acceptable level. Wear mask supplied with: Gas cartridge (organic substances).
<b>PROTECTIVE GLOVES:</b>	Protective gloves must be used if there is a risk of direct contact or splash. Use protective gloves made of: Nitrile.
<b>EYE PROTECTION:</b>	Wear splash-proof eye goggles to prevent any possibility of eye contact.
<b>OTHER PROTECTION:</b>	Wear appropriate clothing to prevent repeated or prolonged skin contact.
<b>HYGIENIC WORK PRACTICES:</b>	Wash promptly if skin becomes contaminated. Wash at the end of each work shift and before eating, smoking and using the toilet.

## 9. PHYSICAL AND CHEMICAL PROPERTIES

<b>APPEARANCE:</b>	Liquid.
<b>COLOUR:</b>	Lightly coloured.
<b>ODOUR/TASTE:</b>	Organic solvents.
<b>SOLUBILITY DESCRIPTION:</b>	Insoluble in water.

## 10. STABILITY AND REACTIVITY

<b>STABILITY:</b>	Avoid: Heat, sparks, flames.
-------------------	------------------------------

## 11. TOXICOLOGICAL INFORMATION

<b>INHALATION:</b>	Harmful by inhalation. May cause sensitisation by inhalation.
<b>INGESTION:</b>	May cause discomfort if swallowed.
<b>SKIN:</b>	Prolonged or repeated contact leads to drying of skin. May cause sensitisation by skin contact.
<b>EYES:</b>	Irritating to eyes.
<b>HEALTH WARNINGS:</b>	May cause irritation to the respiratory system. May cause respiratory allergy. Acts as a defatting agent on skin. May cause cracking of skin, and eczema.
<b>MEDICAL CONSIDERATIONS:</b>	History of smoking. Allergies.

## 12. ECOLOGICAL INFORMATION

<b>ECOLOGICAL INFORMATION:</b>	Contamination of the terrestrial and aquatic environments should be avoided
--------------------------------	---

## 13. DISPOSAL CONSIDERATIONS

**DISPOSAL METHODS:** Dispose of in accordance with Local Authority requirements.

## 14. TRANSPORT INFORMATION

**LABEL FOR CONVEYANCE:**



<b>UK ROAD TRANSPORT CLASS:</b>	3
<b>UK ROAD PACK GR.:</b>	III
<b>ADR CLASS No.:</b>	3
<b>ADR CLASS:</b>	Class 3: Flammable liquids.
<b>ADR PACK GR.</b>	III
<b>ADR LABEL No.:</b>	3
<b>HAZCHEM CODE:</b>	3Y
<b>CEFIC TEC(R) No.:</b>	30GF1-III,30GF1-sp
<b>PROPER SHIPPING NAME I:</b>	ADHESIVES
<b>RID CLASS No.:</b>	3
<b>RID PACK GR.</b>	III
<b>UN No. SEA:</b>	1133
<b>IMDG CLASS:</b>	3
<b>IMDG PACK GR.:</b>	III
<b>EmS No.:</b>	3-05
<b>MFAG TABLE No.:</b>	See Guide
<b>MARINE POLLUTANT:</b>	No.
<b>UN No., AIR:</b>	1133
<b>ICAO CLASS:</b>	3
<b>AIR PACK GR.:</b>	III

## 15. REGULATORY INFORMATION

**LABEL FOR SUPPLY:**



**CONTAINS**

TOLUENE

**RISK PHRASES:**

R-11 Highly flammable.  
 R-20 Harmful by inhalation.  
 R-36 Irritating to eyes.  
 R-42/43 May cause sensitisation by inhalation and skin contact.  
 R-66 Repeated exposure may cause skin dryness or cracking.

**SAFETY PHRASES:**

P-4 Contains isocyanates. See information supplied by the manufacturer.  
 S-16 Keep away from sources of ignition - No Smoking.  
 S-23 Do not breathe gas/fumes/vapour/spray.  
 S-24/25 Avoid contact with skin and eyes.  
 S-26 In case of contact with eyes, rinse immediately with plenty of water and seek medical advice.  
 S-37 Wear suitable gloves.  
 S-38 In case of insufficient ventilation, wear suitable respiratory equipment.  
 S-45 In case of accident or if you feel unwell, seek medical advice immediately (show the label where possible).  
 S-60 This material and its container must be disposed of as hazardous waste.  
 S-9 Keep container in a well-ventilated place.

## 16. OTHER INFORMATION

**USER NOTES:**

This product should be used as directed by Bostik Findley Ltd. For further information consult the product data sheet or contact Technical Services.

**INFORMATION SOURCES:**

This safety data sheet was compiled using current safety information supplied by distributor of raw materials.

**REVISION COMMENTS:**

This safety data sheet supersedes all previous issues and users are cautioned to ensure that it is current. Destroy all previous data sheets and if in doubt contact Bostik Findley Limited.

**ISSUED BY:**

Approved EC

**REVISION DATE:**

March 2004

**REV. No./REPL. SDS GENERATED:**

1

**DATE:**

March 2004

**PRINTING DATE:**

2004-03-08

**R-PHRASES (Full Text):**

R-11 Highly flammable. R-20 Harmful by inhalation. R-36 Irritating to eyes. R-66 Repeated exposure may cause skin dryness or cracking. R-67 Vapours may cause drowsiness and dizziness.