

Agridoor[®] PLUS



Installation Instructions



INTRODUCTION

Parts List

REFERENCE:	QTY	PRODUCT DESCRIPTION
A1	1	Top Octagonal Tube
B1	1	Bottom 100mm Tube
C1	*	Fabric Panels
D1	*	Tension Bars
E1	1	Top Bracket RH
E2	1	Top Bracket LH
F1	1	Drive Shaft Assembly
G1	*	Free End Shaft Assembly
H1	1	Electric Motor (Direct Drive)
H2	1	Motor Spacer 15mm (3~ only) - not shown
I1	1	Motor Mount Bracket
J1	2	Bearing
J2	1	Shaft Spacer (not shown)
K1	*	Track Mount Bracket
L1	*	Track Mount Plate
M1	2	Tracking
M2	*	Tracking Cover Strip
N1	*	Trolley
O1	1	Track Funnel RH
O2	1	Track Funnel LH
P1	2	Guide Roller Assembly
Q1	2	Bottom Tube End Insert
R1	*	Bottom Tube Weight
S1	1	Bottom Flap
T1	*	Motor Cover
U1	1	Motor Control Box and Cable
V1	1	Overrun Switch and Bracket
W1	*	Top Cowling (3m length)
X1	*	Cowling Support
Y1	10	Cowling Bracket
AA1	1	Drive Bracket LH (<i>Indirect Drive - optional</i>)
AA2	1	Drive Bracket RH (<i>Indirect Drive - optional</i>)
AB1	1	Chain Guard Bracket
AC1	1	Drive Shaft Assembly (<i>Indirect Drive – optional</i>)
AD1	1	Electric Motor (<i>Indirect Drive - optional</i>)
AE1	*	Chain Drive (<i>Indirect Drive - optional</i>)
AF1	1	Motor Cover (<i>Indirect Drive – optional</i>)
AG1	1	Chain Guard (<i>Indirect Drive – optional</i>)
AH1	1	Safety Brake (<i>Indirect Drive - optional</i>)
AI1	1	Safety Brake Bracket (<i>Indirect Drive - optional</i>)
AJ1	1	Cowling End Panel (<i>Indirect Drive - optional</i>)
AK1	*	Sealing Strip

* Quantities according to size of door

ENG

Your Safety

The doors will require a mechanical lift to mount the roller assembly onto the top brackets. The respective weights are given in the table below based on standard material. Add 7% to this figure for doors supplied with 'HP' fabric, and 15% for doors supplied with black Stockscreen and solid fabrics.

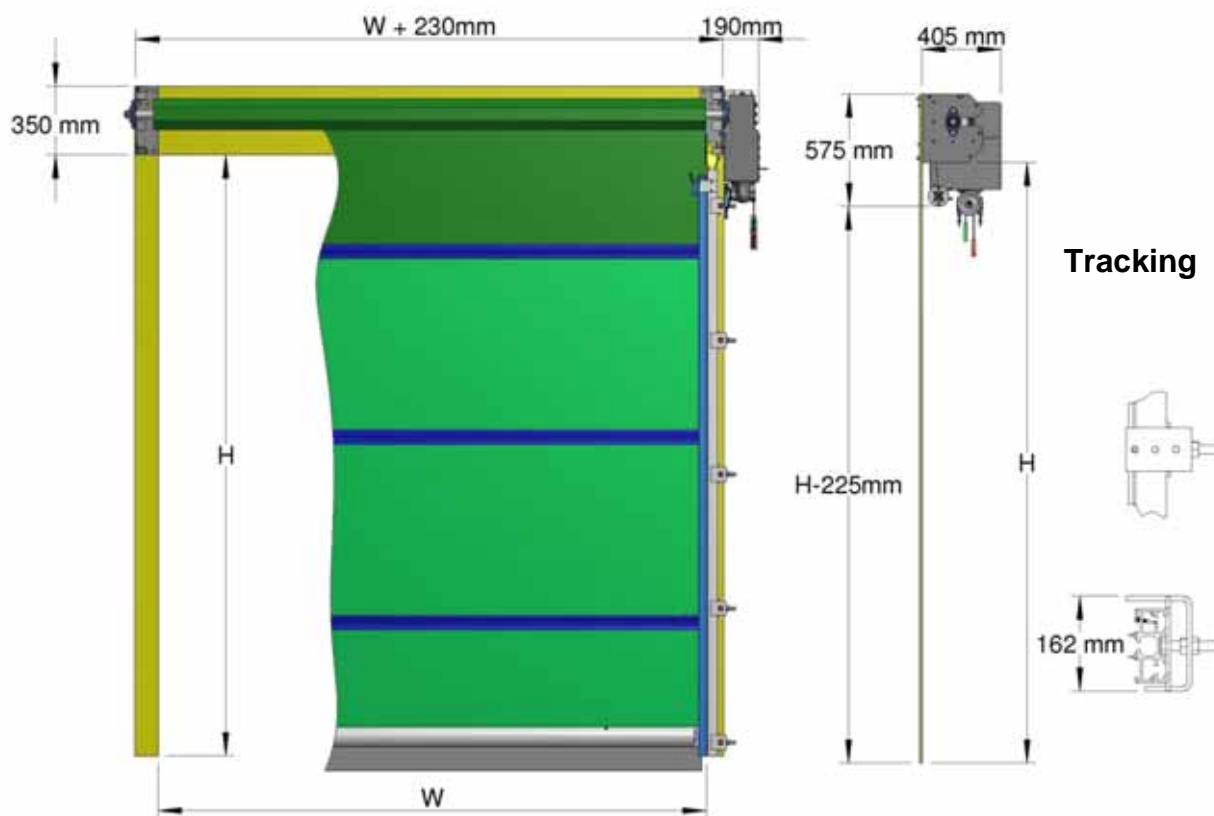
ENG

WIDTH	HEIGHT					
	5.0m	6.0m	7.0	8.0m	9.0m	10.0m
5.0m			108kg	115kg	121kg	127kg
6.0m		112kg	125kg	133kg	140kg	
7.0m	118kg	127kg	143kg	151kg		
8.0m	132kg	142kg	160kg			
9.0m	146kg	157kg				
10.0m	160kg					

Table 1, Roller Assembly Weights


Pre-Installation Check

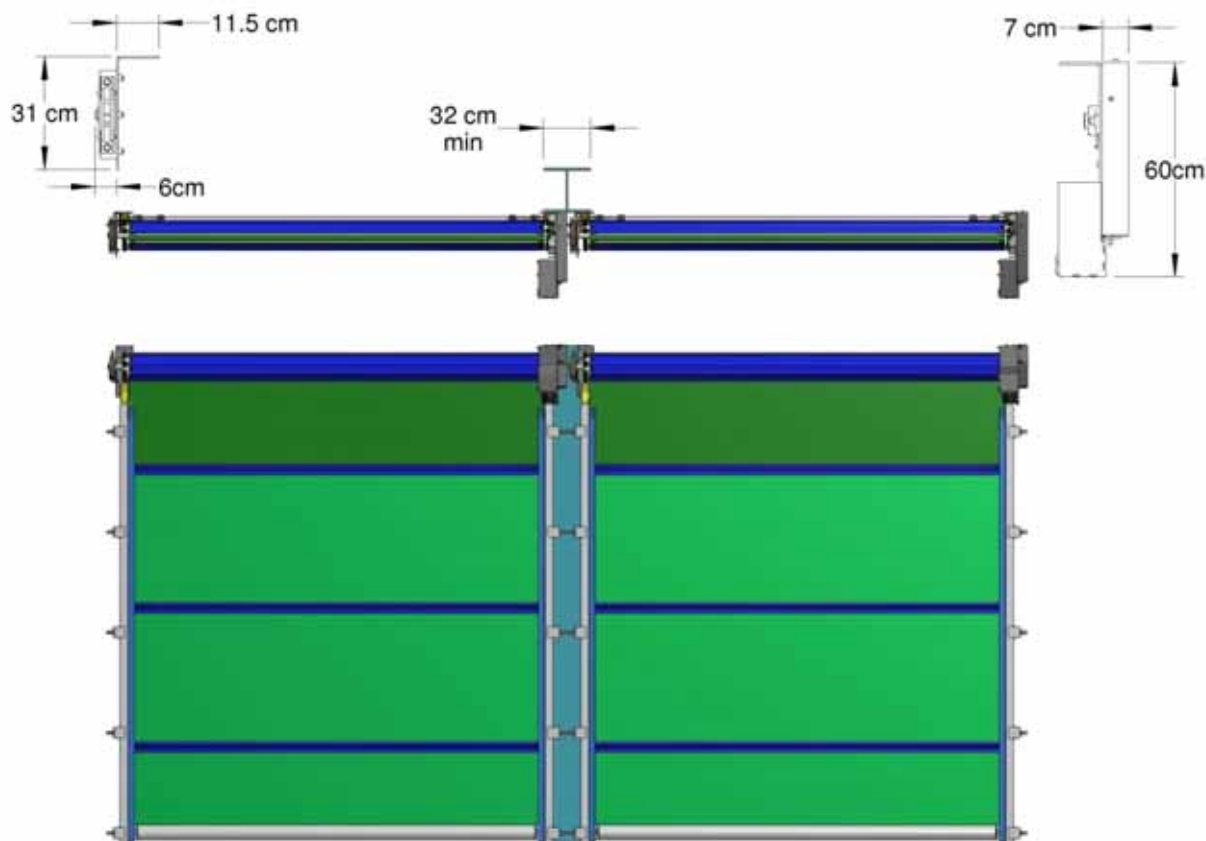
Figure 2 indicates space required to install your door, with additional information for mounting multiple doors in series.



ENG

Figure 2a, Fitting Requirements (Direct Drive)

	<p>CAUTION: To safeguard against any danger points, the minimum height 'H' of any door is 2.5m.</p> <p>In the event of power or door failure, the door must not form the only means of exit from the building to which it is fitted.</p>
---	---



ENG

Figure 2b, Doors in Series (Indirect Drive)

Wind Loadings

The structure to which the door is fitted needs to be of adequate strength to resist the following wind loads.

Wind Speed (km/hr)	Wind Load (N)*	Wind Load (Kg)*
70 km/hr	= W x H x 233	= W x H x 24
100 km/hr	= W x H x 481	= W x H x 49
140km/hr	= W x H x 933	= W x H x 95


**No allowance made for safety margins*


Right or Left Hand Drive

Your door will be supplied in accordance with the drive orientation specified when ordered. The images and text in these Instructions are based on a door with a right-hand drive, if you have ordered a left-hand drive then reverse the references.

Electrics

Only allow qualified electricians to work on the electrical connections of the door. This document covers the key instructions with regards to bringing the Electric Drive into service. Read the additional information from the supplier of the Electrical Motor and Control Box for full installation instructions.

	ATTENTION: The power supply must be a clean Mains Supply and not taken from an Electric Generator Set.
---	---

	ATTENTION: The power supply must be taken from a LOCKABLE isolation switch positioned within 0.5m from the controller.
---	---

Installer Competence

The installer should be able to demonstrate the required level of competence via evidence of installing similar products or formal training. If competence cannot be proven then they should not be allowed to install the product.

Product Description

The Agridoor®Plus is a power operated vertically moving rolling door comprising of a series of linked flexible curtains capable of being rolled and for which the main intended uses are giving safe access for goods and vehicles accompanied or driven by persons.

Noise Levels


A-weighted sound pressure level (dB)	50
C-weighted peak sound pressure level (dB)	75

Items Required by the Installer

Standard tool kit including:

- Electric drill
- Angle grinder
- Sharp pair of scissors or knife
- Spirit level
- Bolts for fixing to steel up to 12mm thick are supplied, if fixing to a wooden or concrete building you will require eight M10 fixings to fasten top brackets and M10 fixings for track mounting brackets.
- Clips to fix electrical cables to the building
- Power for motor (1~ - 220Volts, 750Watts, 8Amps)
(3~ - 400Volts, 400Watts, 2.2Amps)

Key Instructions



CAUTION: Potentially hazardous situation: must be avoided otherwise injuries may result.



ATTENTION: Observe the given instructions otherwise the product or adjacent items may be damaged

NOTE: Helpful comments and information to assist in installation or use of your product

**NOTE: Before starting the installation you must fully read these instructions (including the separate electrical details) to completely understand the procedure.
Keep the instructions supplied for reference purposes.**

NOTE: Colour versions of the installation instructions can be downloaded from our website:
www.galebreaker.com

INSTALLATION

1. Check the contents of your door against the parts, Figure 1. Do not let the screen material come into contact with sharp objects or corners.

Fitting the Top Brackets

2a. Direct Drive

Fit the motor mount bracket (AI1) to the top bracket (E1 or E2) using the M10x25mm bolts and nuts, Figure 3(i).

ENG

Indirect Drive

Fit the safety brake bracket (I1) to the top bracket (E1 or E2) using the M10x25mm bolts and nuts. Fit the chain guard bracket (AB1) to the drive bracket with two cowling brackets (Y1) on the inside using the M8x25 bolts and nuts, Figure 3(ii).

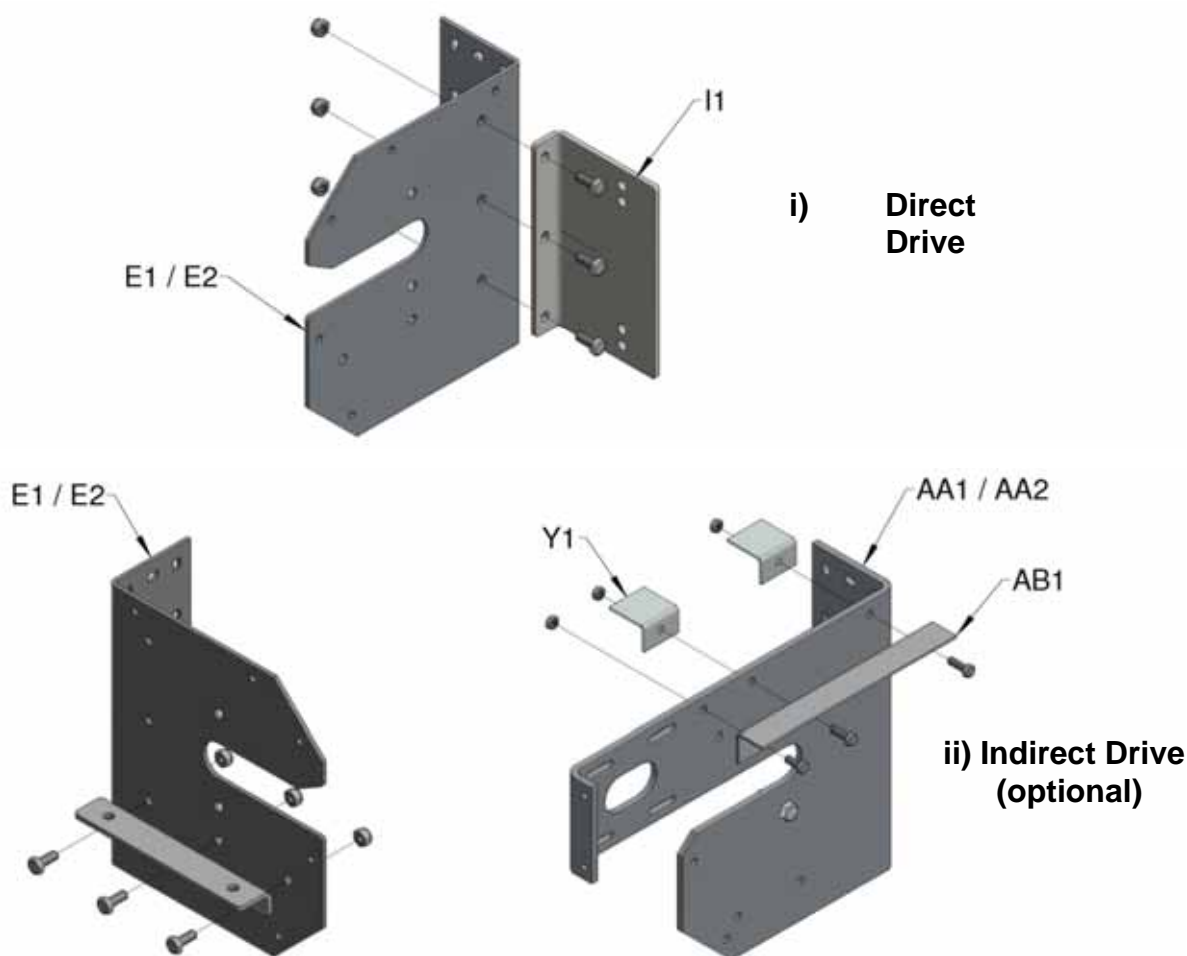
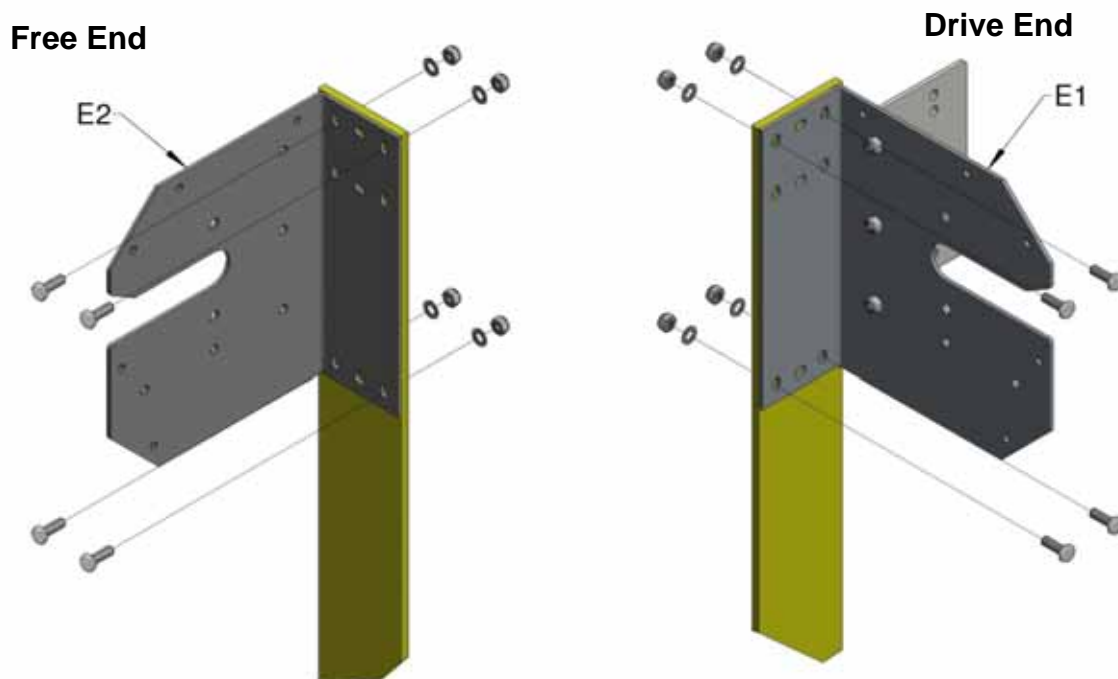


Figure 3, Motor Mounting Brackets

- 2b. Using the template to position the holes, fit the top brackets (E1 & E2) at the required height with M10x35 fixings. When fitting the brackets it is essential that they are **level and upright and square to the building**.



ENG

Figure 4, Top Bracket Positioning

CAUTION: Referring to Table 1 on page 4, ensure the building is of sound construction and that the most suitable type of fastener is used. Use only M10 bolts or greater to fit these items and ensure they are securely fastened to the building. Failure of these fixings will result in your door falling off the building, potentially injuring operators and bystanders.

NOTE: If your door is supplied with an Cowling, refer to Section 30 at this stage.

Cutting the Top tube, Windbars, and Fabric

- 3a. If it is required to cut your door, measure the daylight gap between the inside face of the top brackets (A) and cut to the following rules (Figure 5a), do not cut the lower flap and bottom tube at this point.

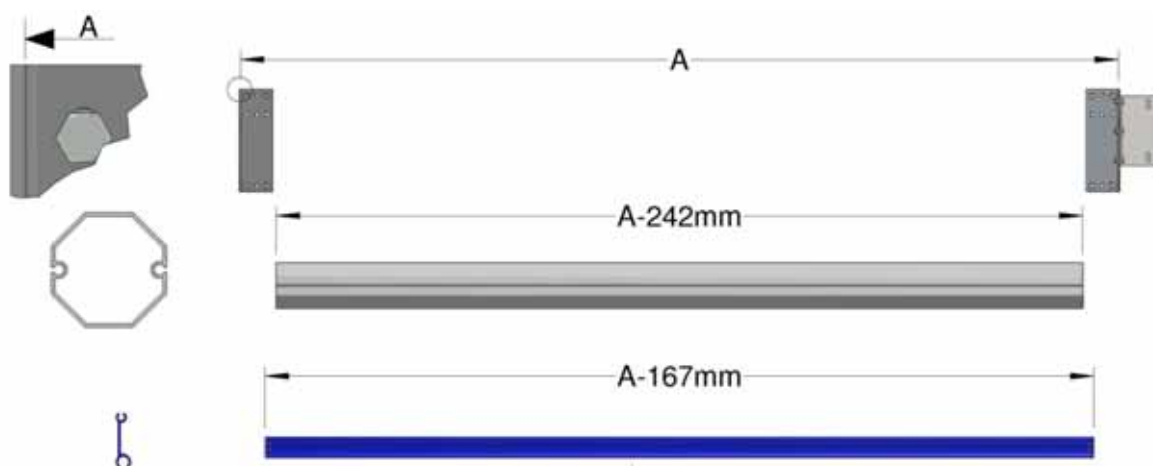


Figure 5a, Standard Cutting Lengths of Tubes and Bars

Top Tube = Distance between inside faces -242mm (-0.242m)

Tension Bars = Distance between inside faces -167mm (-0.167m)

3b. If the door has been supplied with a pre-assembled barrel then fit the bearings to the shafts as shown in Figure 11a or 11b and install the top brackets as shown in Figure 5b (Dimensions are to the inside of the top brackets, make sure the shaft is fully engaged in the top tube). Continue from Section 12.

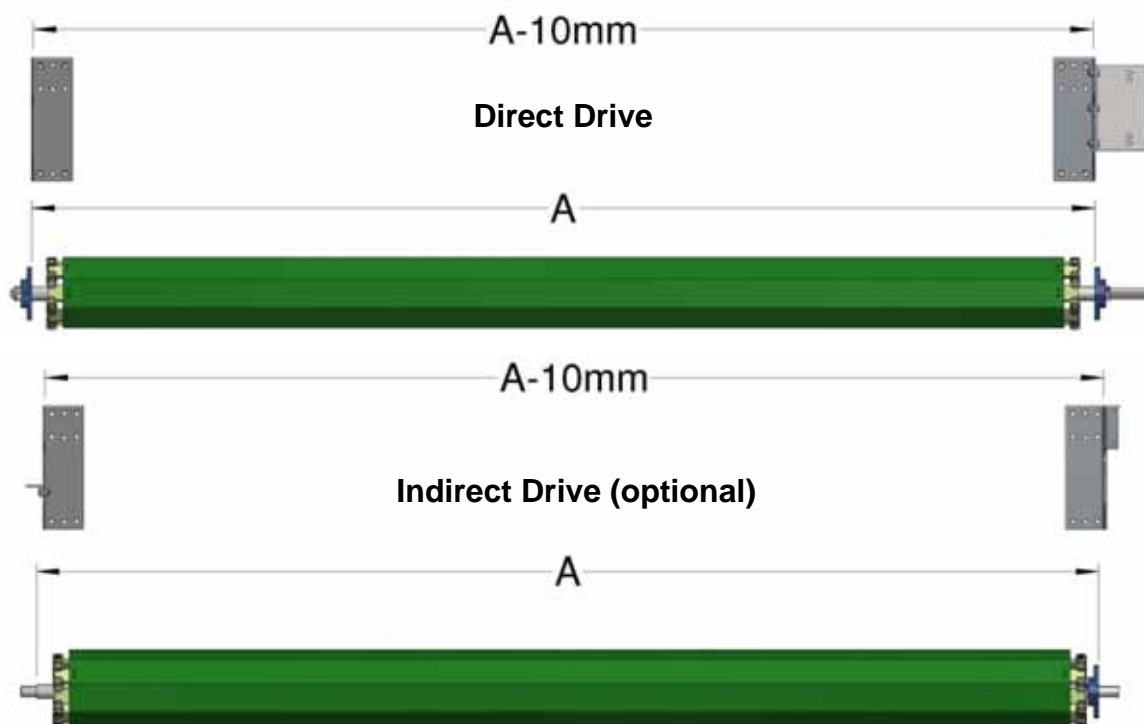
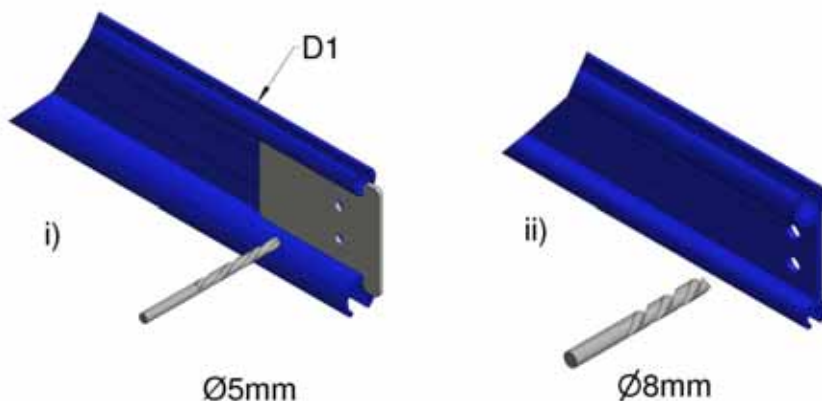


Figure 5b, Pre-Assembled Barrel Installation

- Use the drilling jig supplied to accurately drill two Ø8 mm holes in both ends of the tension bars, Figure 6.



ENG

Figure 6, Tension Bar Drilling

NOTE: Ensure all metal burrs are removed to prevent damage to the fabric panels on installation.

Ensure that the panels go in the correct position according to the door height, refer to Figure 8.

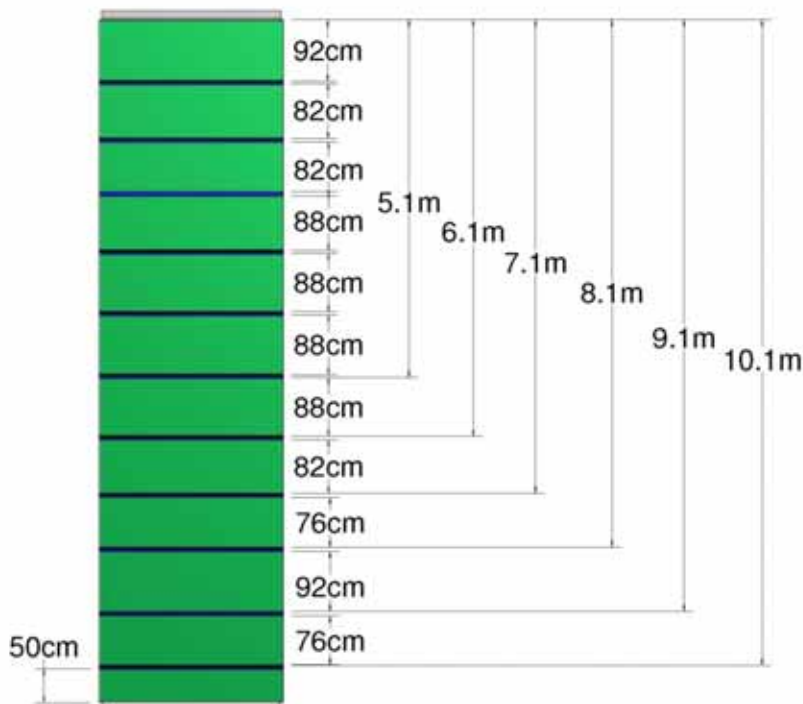


Figure 7, Fabric Panel Layout

- Slide the first fabric panel into the top tube and first tension bar with the 12mm kador in the top tube and the 7mm kador in the tension bar.

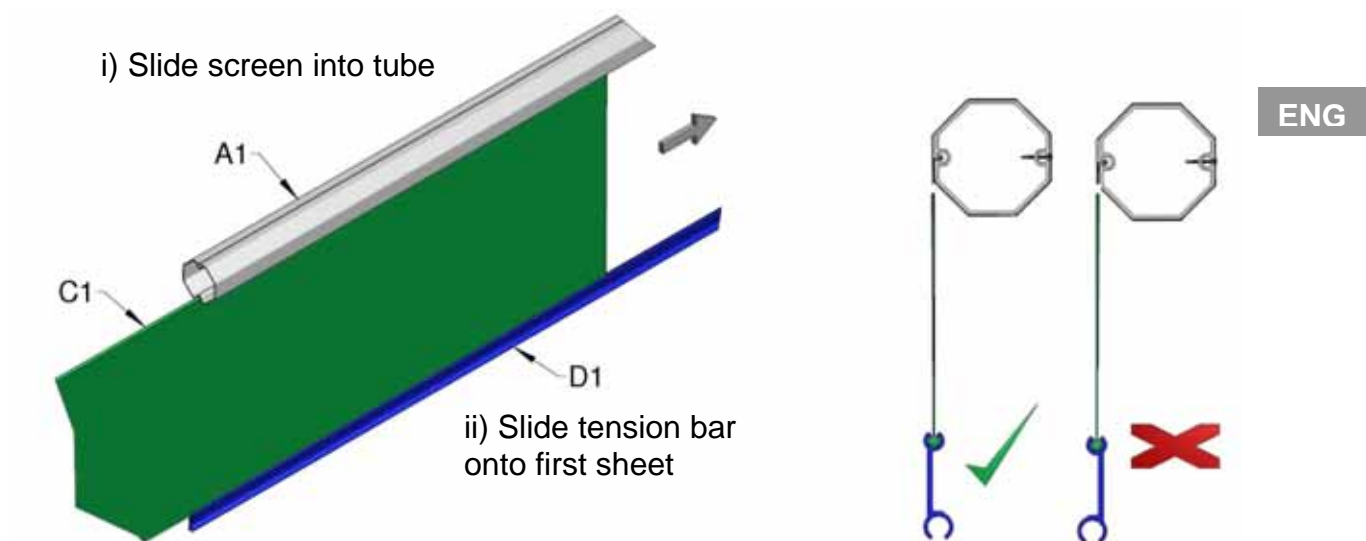


Figure 8a, Top Tube and Fabric Panel

Ensure the tension bar is fitted the correct way round as shown in Figure 8a.

- Apply a little general purpose grease to the shafts. Insert the drive shaft assembly (F1) and free end shaft assembly (G1) into the ends of the top tube with the hole in the collar plate aligning with the panel kador.

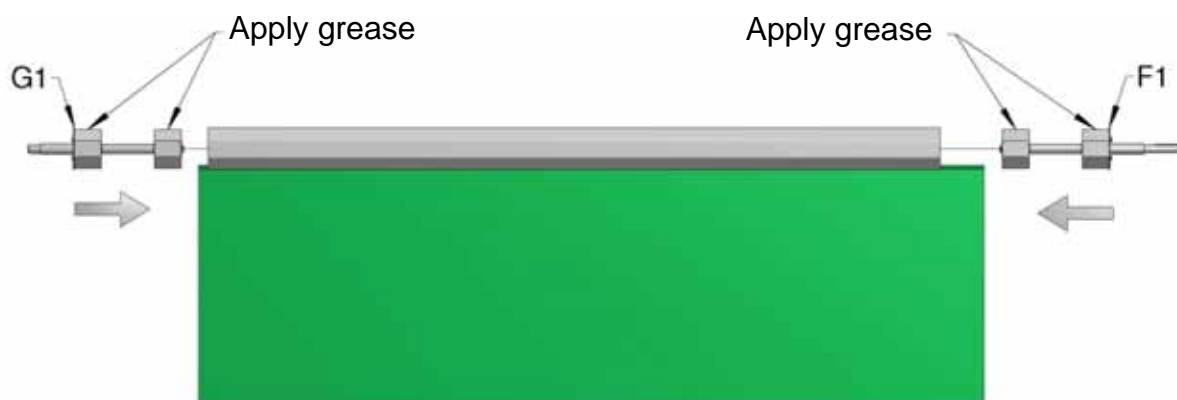


Figure 8b, Grease Shafts

Position the first panel to protrude 3.8cm from the end of the top tube and secure with two M4x38mm self-drilling screws as shown in Figure 8c (i).

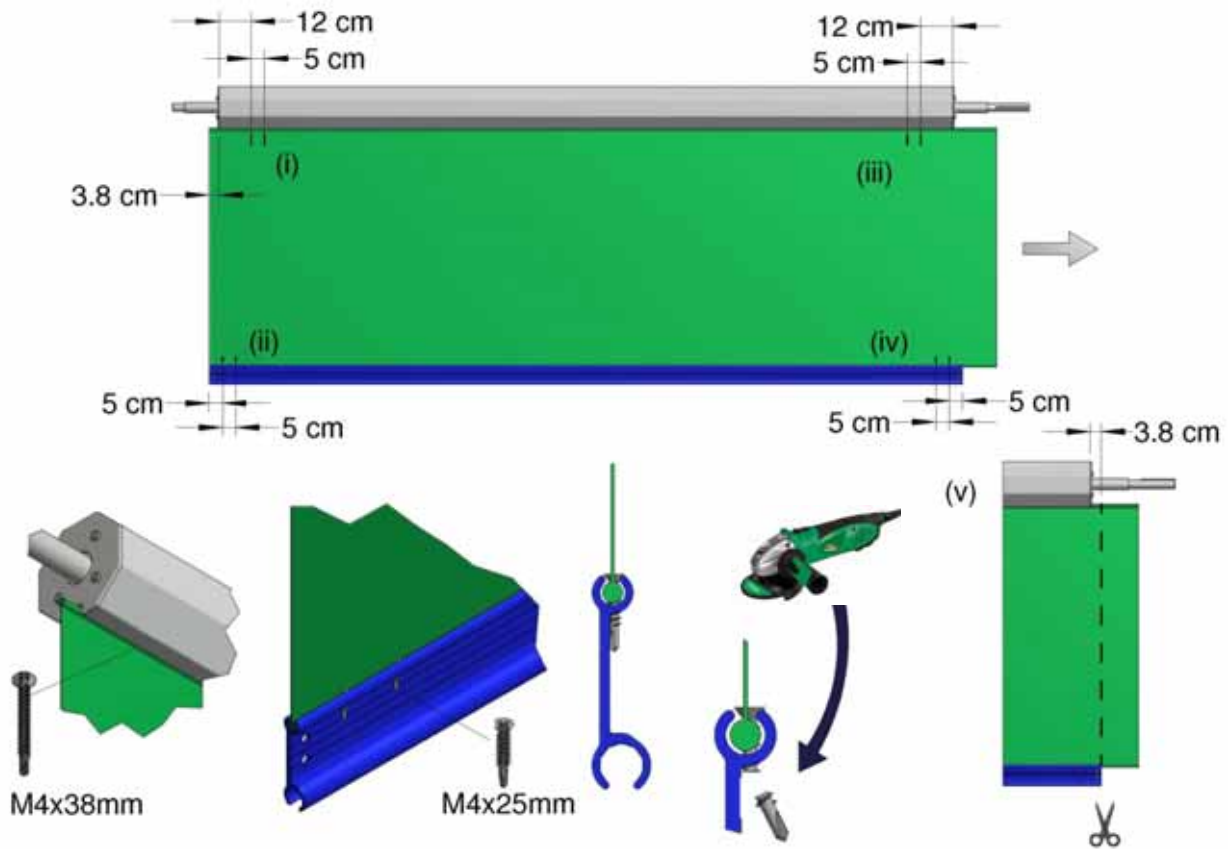


Figure 8c, Securing the Panel


Align the tension bar flush with the end of the panel and secure with two M4x25mm countersunk screws as shown in Figure 8c (ii).

At the other end, tension the panel to remove any creases and secure with the M4x38screws as shown in Figure 8c (iii) & (iv).

Make sure the edge of the panel is square to the top tube so that the door hangs vertically when installed.

Using a straight edge mark and cut the panel to length, the panel should protrude 3.8cm from the end of the top tube, Figure 8c (v).

Cut the tips of the screws off to prevent damage to the sheet.



ATTENTION: Make sure the edge of the panel is square to the top tube.

7. Slide the second panel and tension bar onto the assembly, align the panel flush with the end of the first tension bar and secure with the M4x25mm countersunk screws. At the other end, tension the panel to remove any creases and secure with the M4x25 screws as shown in Figure 9. Repeat with the next tension bar and trim the panel to length.

It is important to tension sheet sideways before fixing to remove creases

Cut the tips of the screws off to prevent damage to the sheet.

ENG

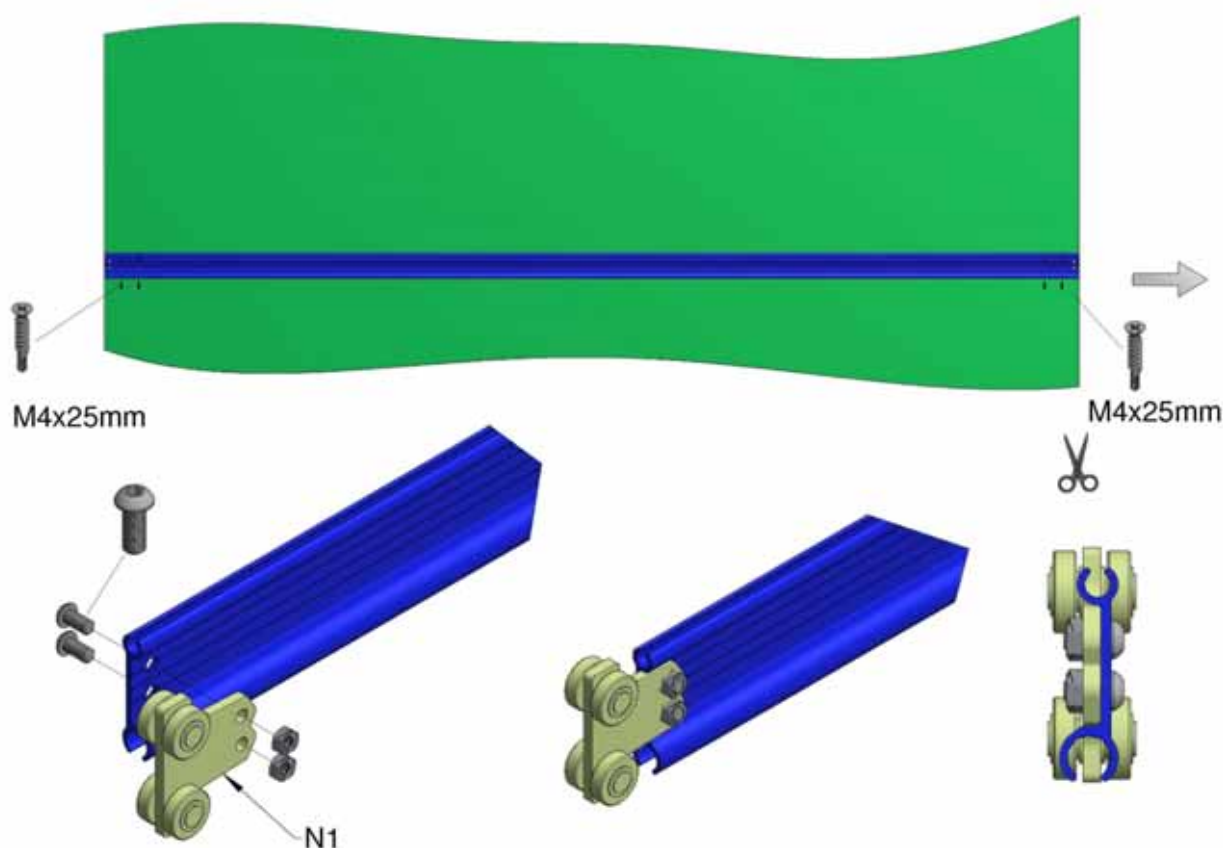


Figure 9, Securing Fabric

8. Attach a trolley (N1) to each end of the tension bar using the M8x16 dome head screws and nuts. Ensure the trolleys are fitted as shown in Figure 9.
9. Continue to add the panels and tension bars making sure that the edges of the panels remain in line and square to the top tube. Roll the panels and tension bars onto the top tube.



ATTENTION: Make sure that the floor is clear of debris that may damage the fabric Panels during the rolling up process.

It is important that when the door is hung the fabric should come off the back of the top tube, between the tube and the building face (Figure 10).

ENG

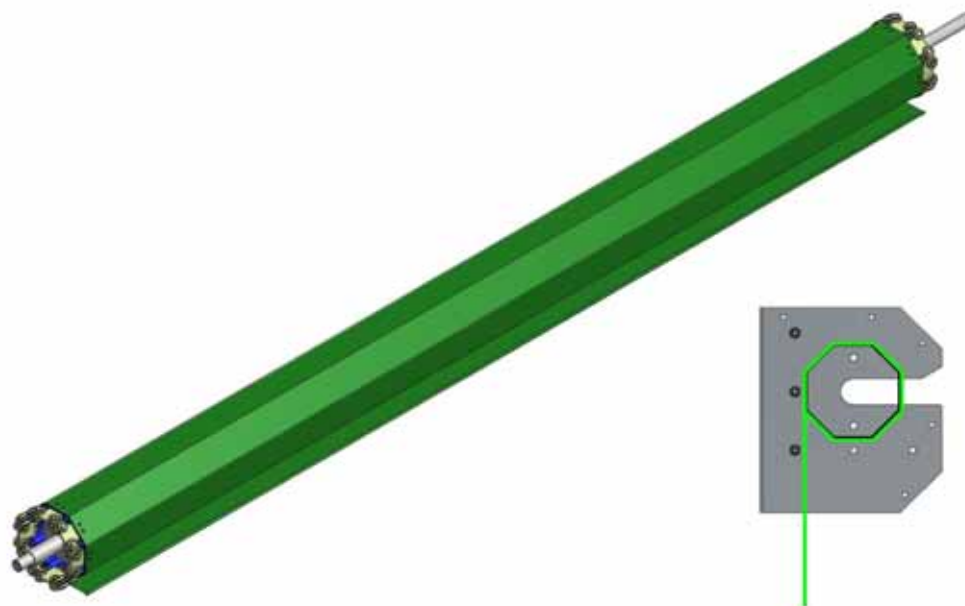


Figure 10, Rolled Barrel

10. Tie up the barrel assembly.

Direct drive - Fit the Bearings (J1) to each shaft as shown in Figure 11a with the 40mm x 6mm spacer (J2), M12x35mm washer and M12x35mm bolt (**this bolt must be fastened with threadlock**). Lock the bearing to the shaft with a 3mm Allen Key.

Indirect Drive (optional) – Fit the bearing to the drive shaft (note direction of bearing) as shown in Figure 11b.

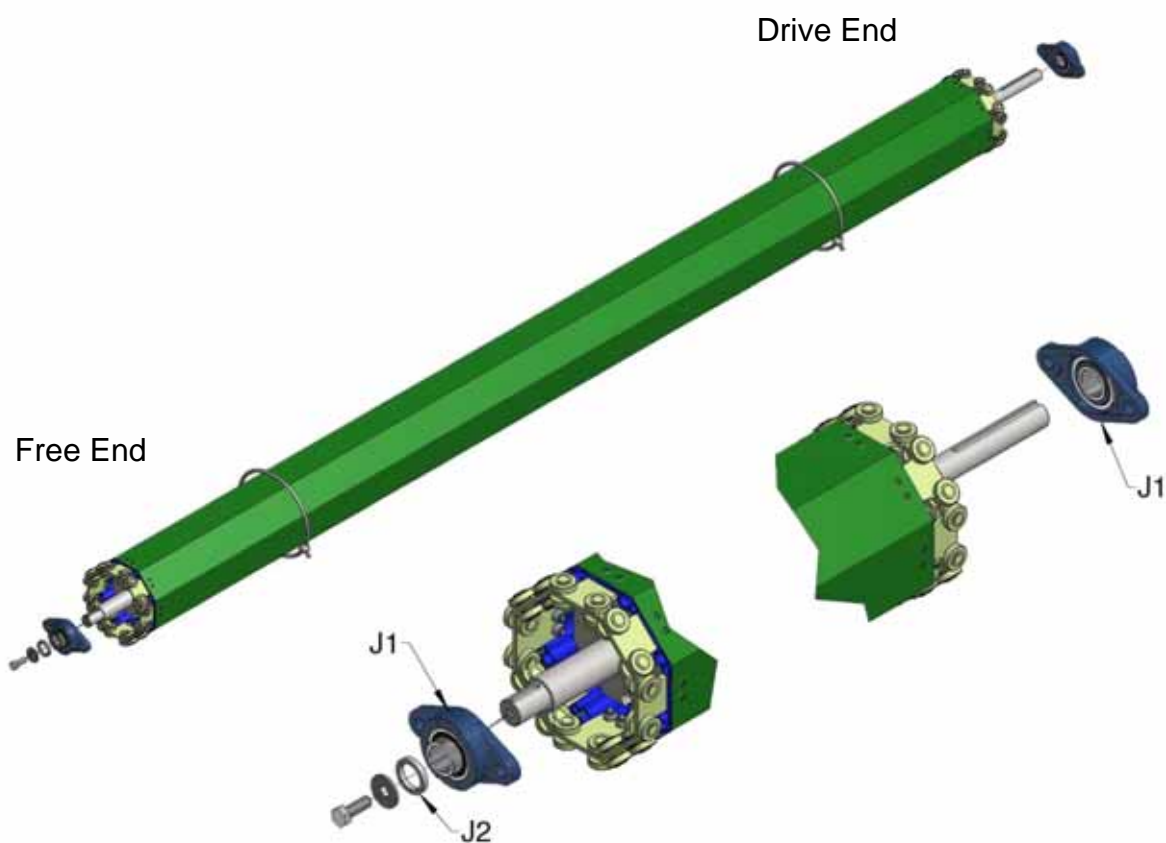


Figure 11a, Direct Drive Barrel Assembly

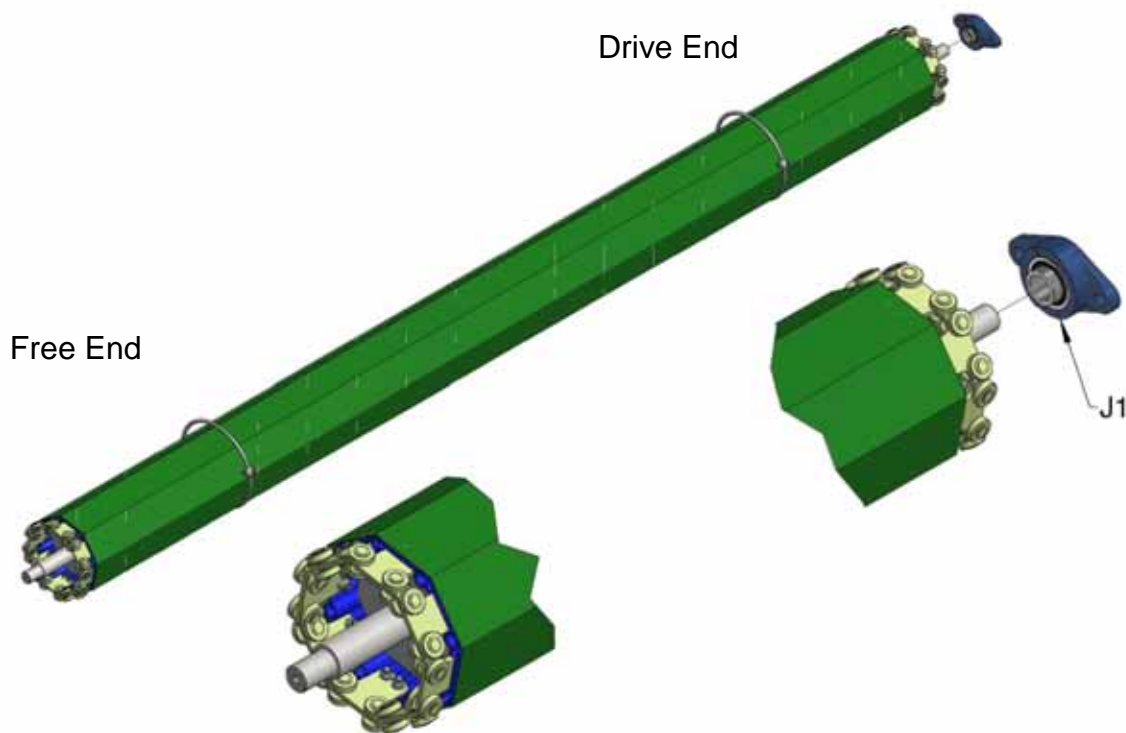


Figure 11b, Indirect Drive Barrel Assembly (optional)

- Fit the track mounting brackets (K1) to the building at a maximum of 75cm centres using the M10x35 bolts and nuts as shown in Figure 12. Make sure the brackets are aligned and vertical. The inner edge of the bracket is 9.5cm from the outside face of the top bracket.

ENG

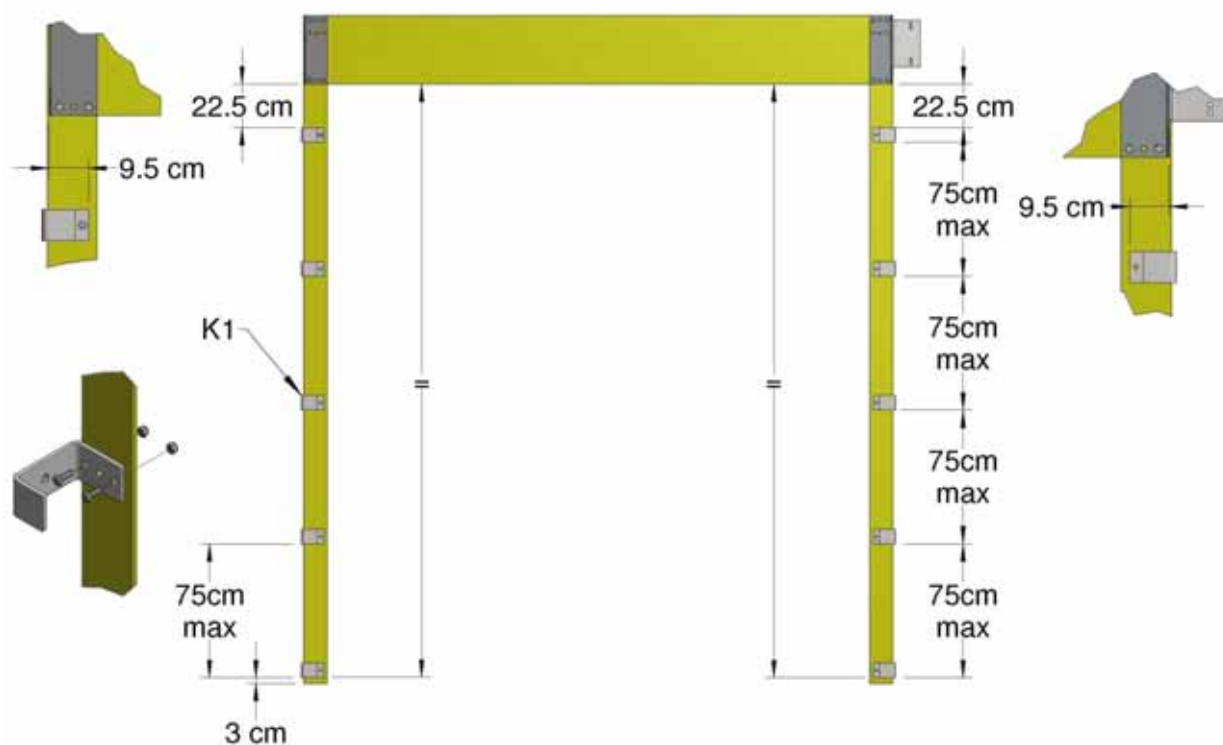

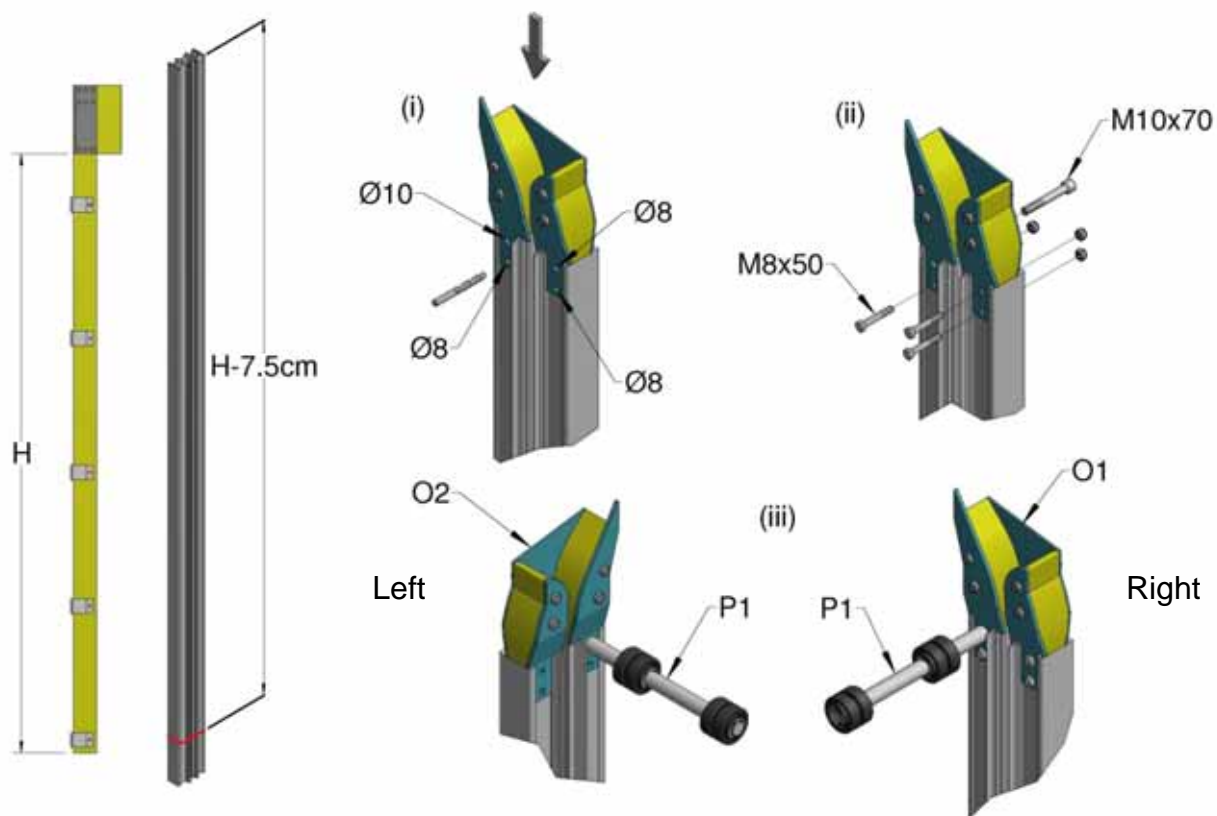


Figure 12, Track Mounting Brackets

	<p>CAUTION: Use only M10 bolts or greater to fit these items and ensure they are securely fastened to the building. Failure of these fixings will result in your door falling off the building, potentially injuring operators and bystanders.</p>
---	---

12. Measure the height from the underside of the top bracket to the floor and equally cut the tracking as per Figure 13. Cut the bottom of the track to leave the cleanest cut at the top for fitting the track funnels.



ENG

Figure 13, Preparing the Tracks

Push the track funnel fully into the top of the track and using the holes in the plates as guides, drill three 8mm holes through the track as shown in Figure 13 and secure with M8x50 bolts and nuts. Drill the 10mm hole and fit the guide roller using the M10x70 cap head bolt.

13. Assemble all the track plates (L1) with the M10x25 bolts, washers and channel nuts as in Figure 14(i). Position the top track plate onto the outside of the track 19cm from the top of the track. Insert the channel nuts into the tracking and rotate, tighten the bolts to secure the plate (the notch in the plate goes on the building side of the track).

Position the remainder of the track plates in the same way to match the position of the track mounting brackets on the building (P). Loosely tighten the bolts by hand (do not tighten yet).

ENG

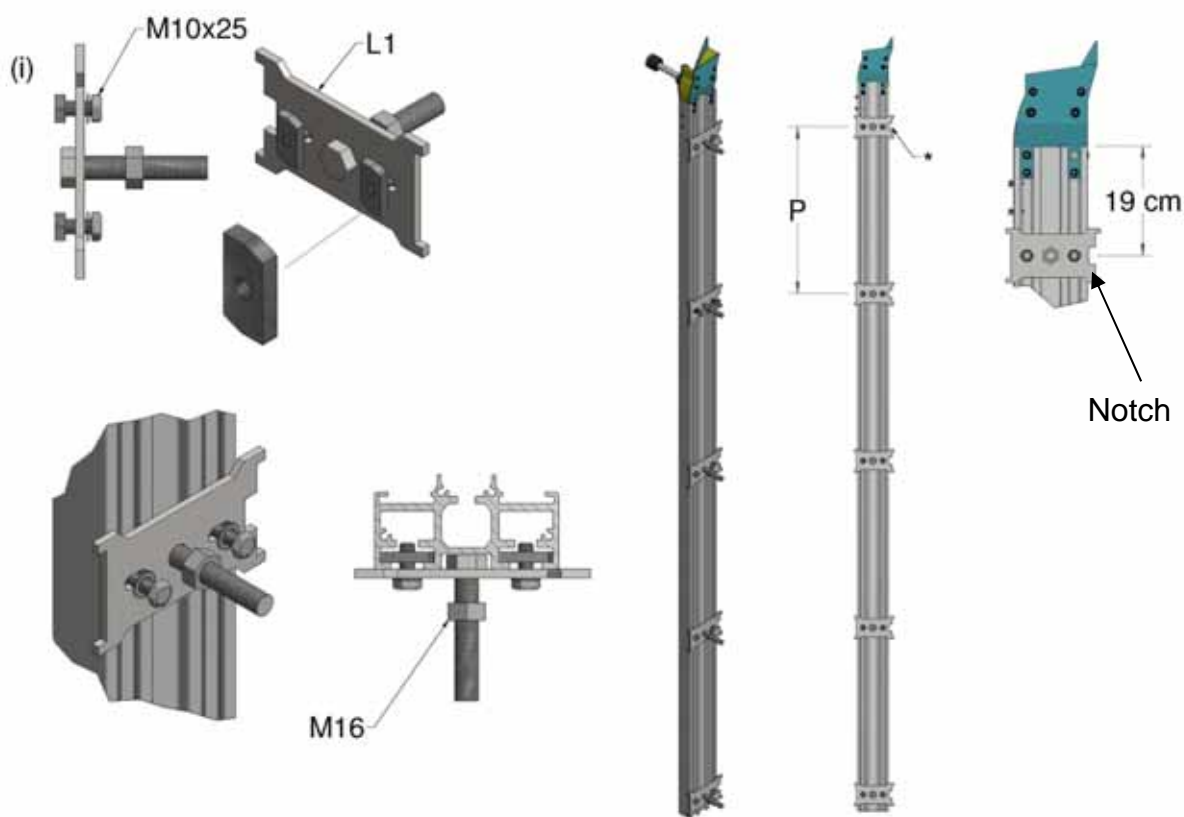


Figure 14, Track Plate Assembly

Loosely fit inner M16 nuts to all the track plate bolts.

14. Lift the track up and position the top track plate into the top track mounting bracket and loosely fit an outer M16 nut to retain the track. Adjust the rest of the plates to align with the track mounting brackets and loosely fit the outer M16 nuts. Adjust the width of the track so there is approximately 8cm between the inner face of the top bracket and the funnel plate, Figure 15. Make sure the extended funnel plate and guide roller are at the rear of the door against the building. Tighten the M10 bolts on the track plates but leave the M16 nuts loose.

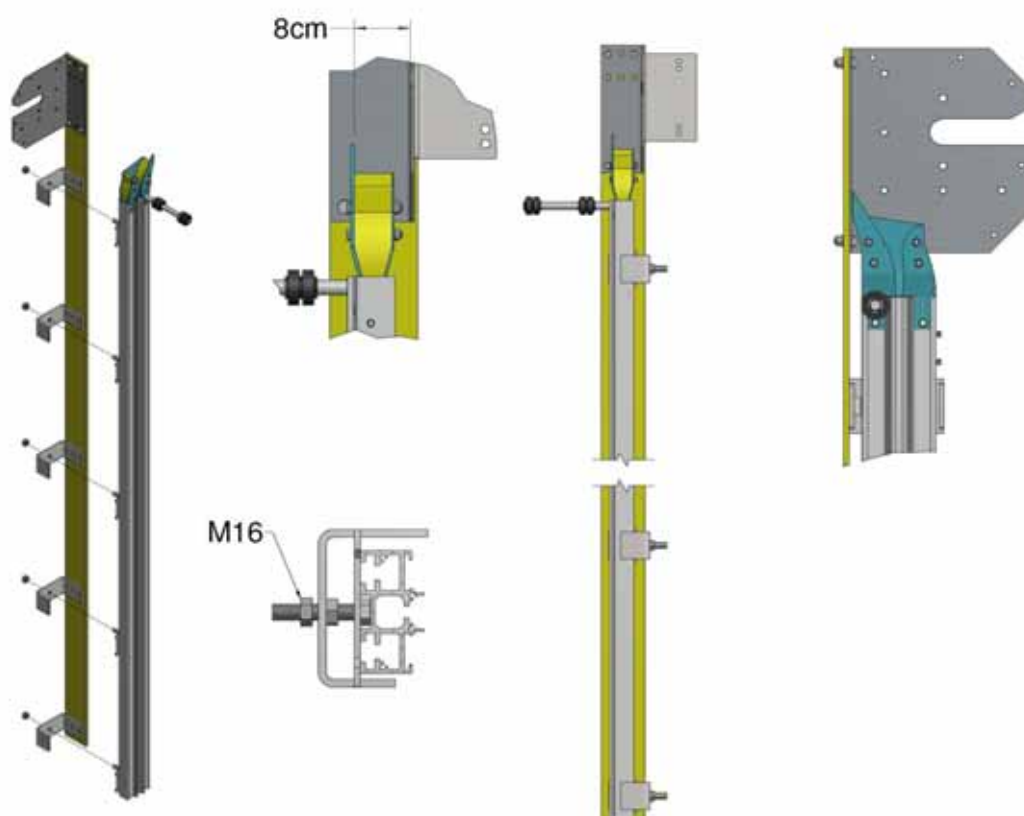
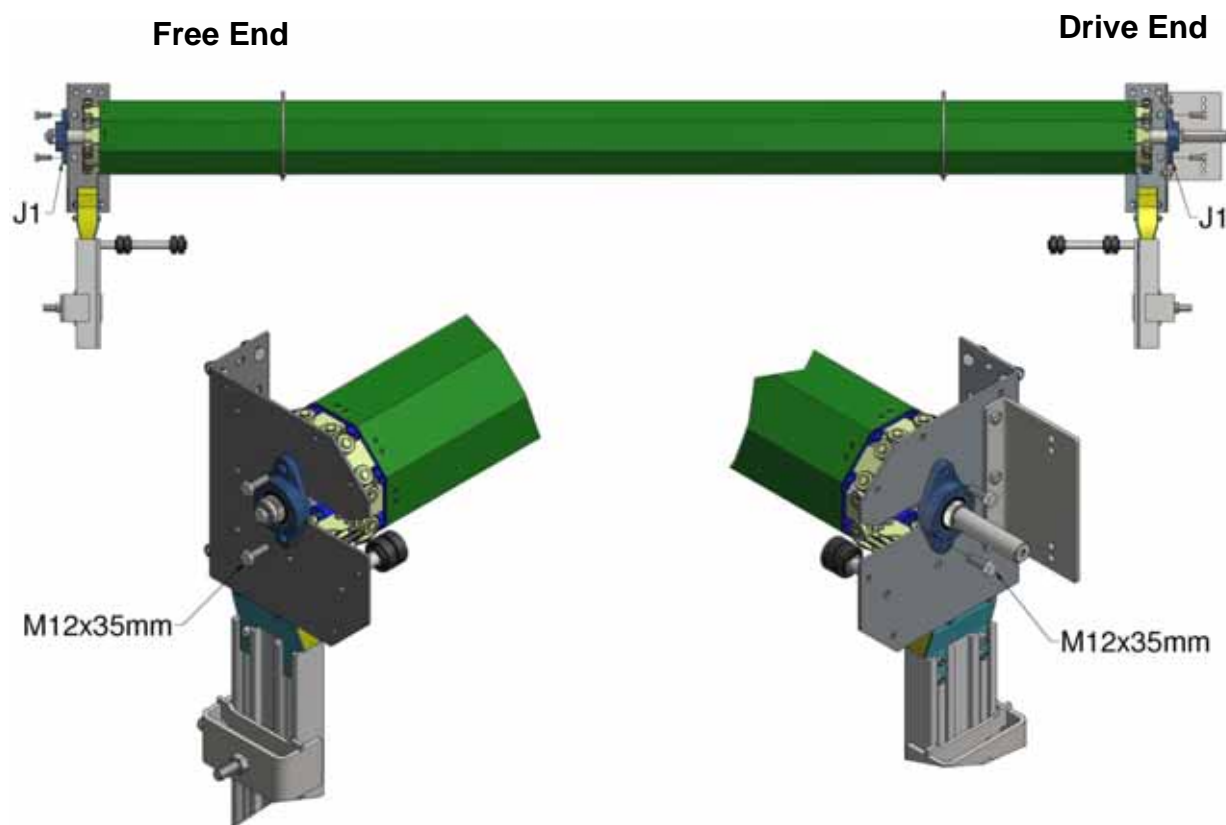


Figure 15, Track Installation

15. **Hanging the door**

Direct Drive

Lift the barrel up to the top brackets and slide into the open slots with the bearings (J1) on the outside of the brackets. Secure with M12x35mm bolts and nuts each end.



ENG

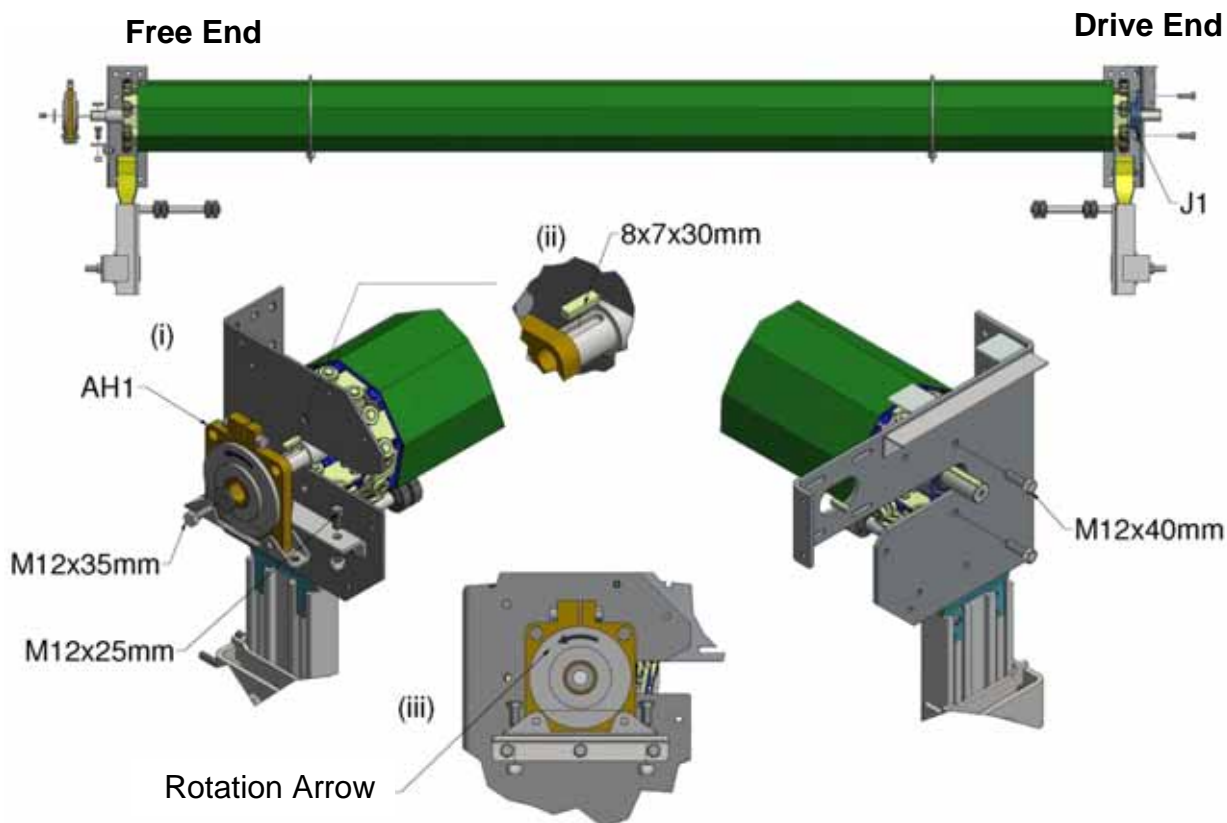
Figure 16a, Barrel Installation (Direct Drive)

CAUTION: It is important to tighten the bearing bolts, this will prevent your door falling if the end brackets are struck, thereby potentially injuring operators and bystanders.

Indirect Drive (optional)

Lift the barrel up to the top brackets and slide into the open slots with the bearing (J1) on the inside of the drive end bracket. Secure with M12x35mm bolts and nuts each end. At the free end make sure the 30mm long key is fitted in the shaft (Figure 16b (ii)) and slide the safety brake unit (AH1) onto the end of the shaft with the direction arrow pointing in the down direction as shown in Figure 16b(iii).

CAUTION: The rotation arrow must point in the down direction or the safety brake will fail to stop the door dropping in the event of a failure.




ENG

Figure 16b, Barrel Installation (Indirect Drive)

Secure the safety brake unit to the brake bracket with the M12x25 bolts and nuts. Secure the free end shaft into the brake with the M12x35 bolt and 35mm diameter washer.

This bolt must be fastened with threadlock.



CAUTION: It is important to tighten the ALL bolts.

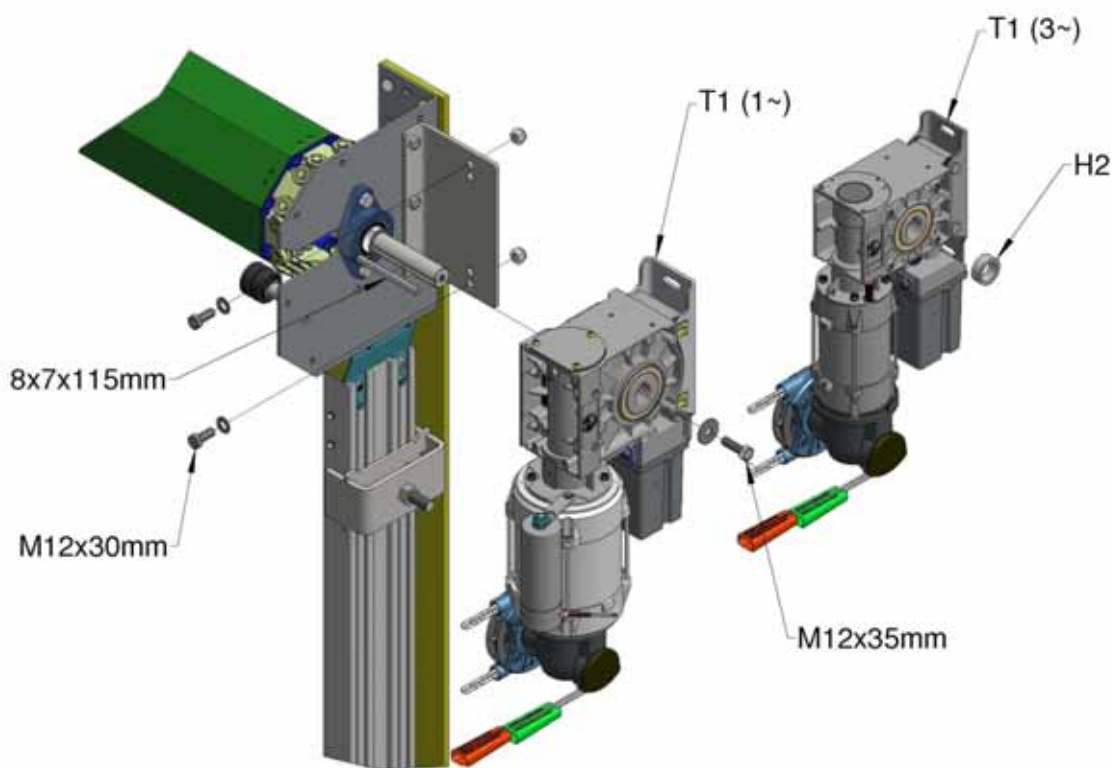
16. **Fitting the Motor**

Direct Drive

Make sure the 8x7x115mm steel key is fitted to the drive shaft and slide the motor onto the drive shaft.

For single phase motors secure with the 35mm diameter washer and M12x35 bolt. **This bolt must be fastened with threadlock.**

For three phase motor repeat as above but fit the 8mm spacer (H2) to the end of the shaft first.



ENG

Figure 17a, Motor Installation

Indirect Drive (optional)

The motor supplied should be the correct hand for the door arrangement ordered, if it is not then remove the circlip from the drive shaft turn the shaft around and replace the circlip. Remove the four guard studs and refit on the opposite side of the motor.

Fit the motor to the drive bracket and loosely secure with the M8x30mm bolts and washers in the back mounting holes. Fit the M8x30mm bolts to the front mounting holes with the motor adjustment brackets on the outside of the top bracket.

Loosely fit the M8x50mm bolts and nuts ready to tension the chain.

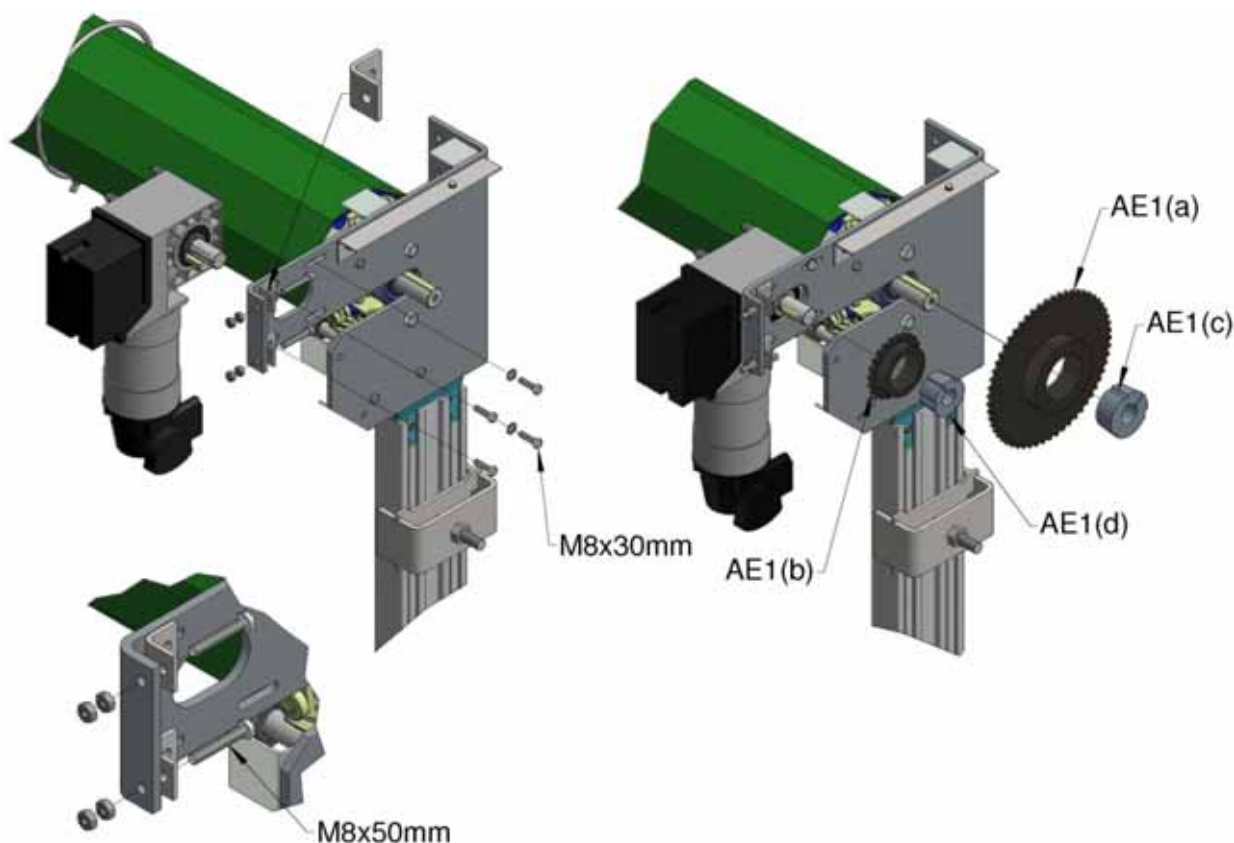


Figure 17b, Motor Installation

Ensure the Steel Key 8x7x60mm is fitted to the drive shaft and fit the large sprocket to the drive shaft using the 2012 taper lock bush AE1(c) (see separate instructions supplied with the bush) to achieve a 1.5cm gap minimum between the sprocket and the top bracket, Figure 17c(i). Fit the small sprocket AE1(b) and 1610 bush AE1(d) to the motor shaft in the same way.

Fit the chain using the joining link and tension the chain to achieve a deflection in the centre of the lower run of 6mm, Figure 17c(ii).

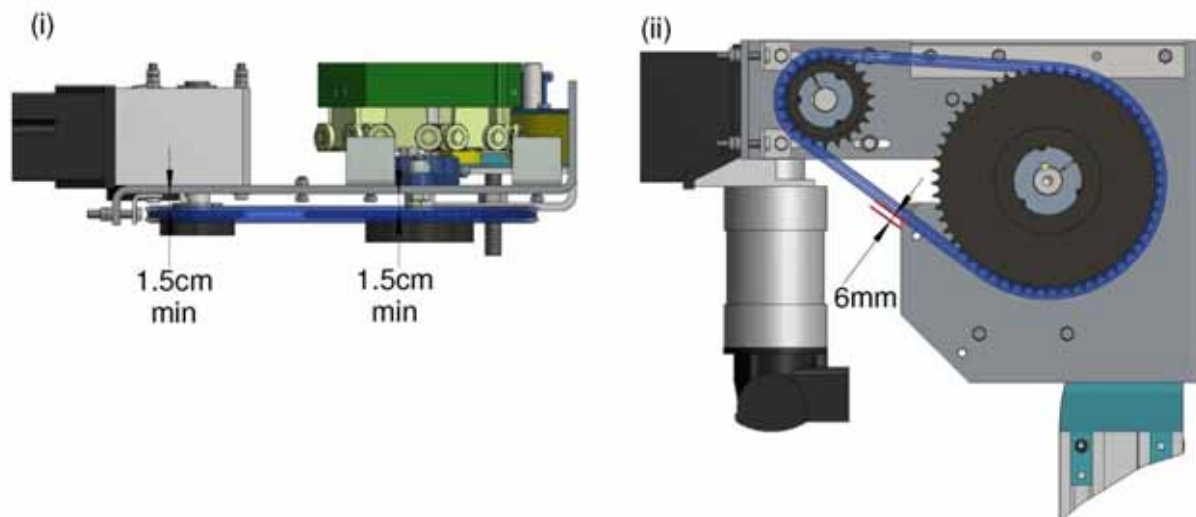




Figure 17c, Drive Chain Installation

Electrical Controls

17. Remove the contactor housing and connect the motor end of the Electric Cable set to the relevant terminals. Fit the control box U1 internally to the building at operating height and plug in the Electric Cable as per suppliers instructions. Fit the three push button switch to the outside of the building ensuring that the wire exits the bottom of the switch.

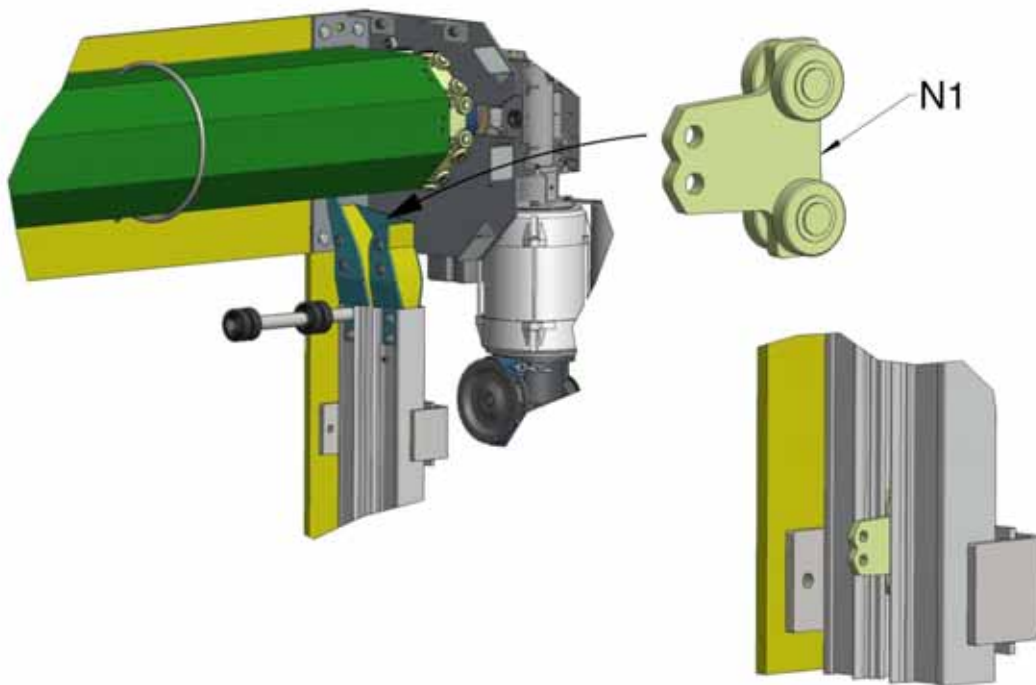
 **CAUTION:** For safety, position both switches in sight of the door and in a non hazardous position.

 **ATTENTION:** For section 18 refer to the Motor and Control supplier instructions.

18. Insert a trolley (N1) into the track each side and lower to the bottom of the track, Figure 18a.

Untie the barrel assembly and pull the red grip on the motor to activate the manual operation of the door. Using the hand chain to turn the motor, lower the

door so that the trolleys on the tension bars enter the tracking through the funnel. The tension bar may need to be adjusted sideways to align with the track initially.



ENG

Figure 18a, Lower Trolley

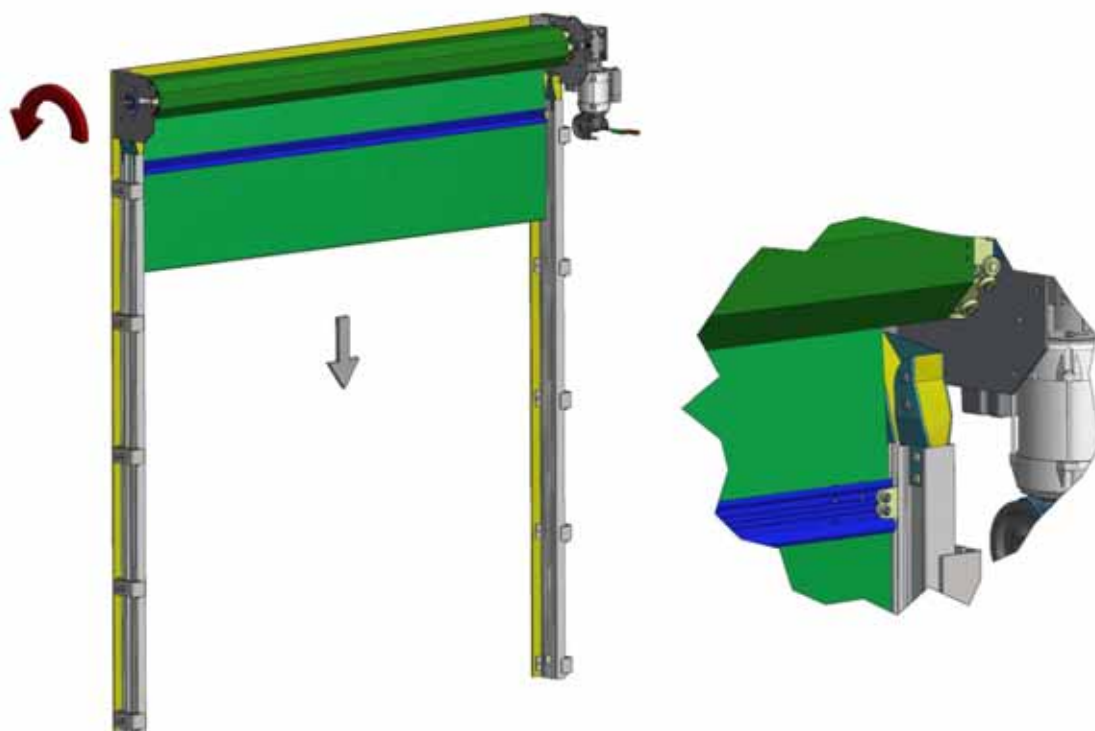


Figure 18b, Lowering the Door

19. With the door lowered and all the tension bars engaged in the track, adjust the tracks horizontally using the M16 nuts so that the edges of the door are vertically aligned with the top panel and the trolley wheels just touch the track internally (this is best done in calm wind conditions). Tighten the M16 nuts to secure the tracks.

ENG

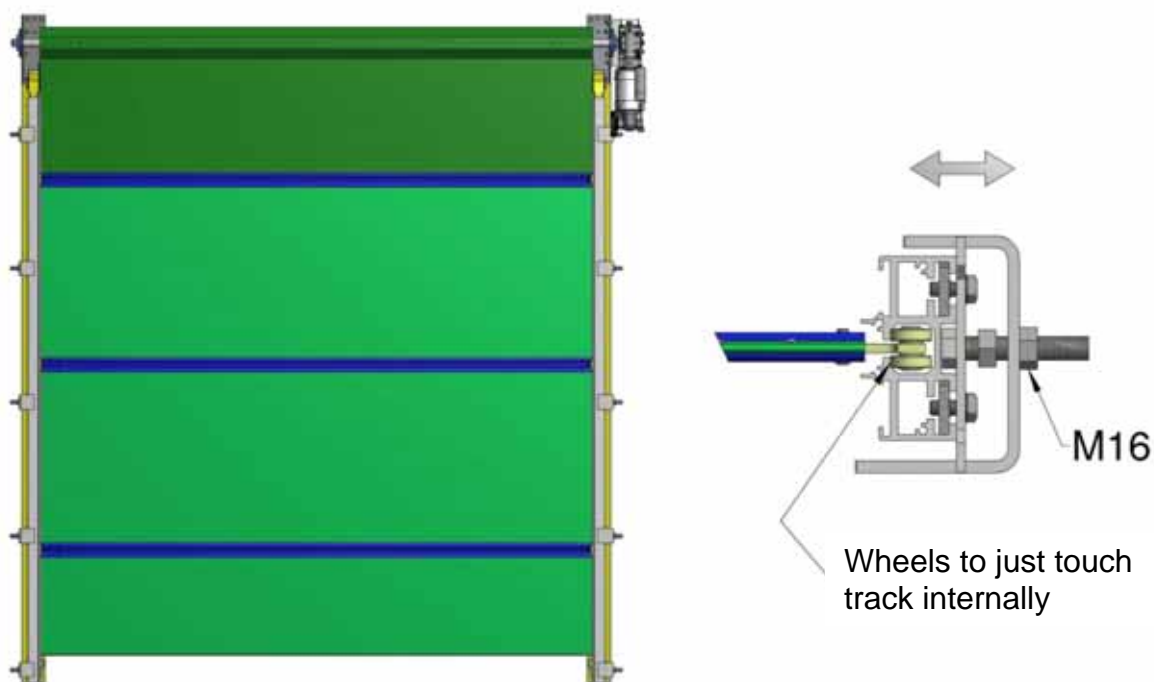


Figure 19, Track Adjustment

20. **Checking the Drive Direction**

Plug the power lead into the isolated supply socket. Pull the green grip on the motor. Press the 'UP' button on the control box and check the door OPENS, if not reverse the direction as shown in *Section 5* of the controller supplier instructions.

21. Open and close the door fully to check the trolleys run smoothly in and out of the track, if not re-adjust the track accordingly.

Bottom Tube and Flap

22. Cut the bottom tube and flap as shown in Figure 20 and deburr the ends. Make sure all burrs are removed from the flutes in the tube to prevent damage to the panel.

Bottom Tube = Gap between tracks - 140mm

Bottom Flap = Gap between tracks - 50mm

ENG

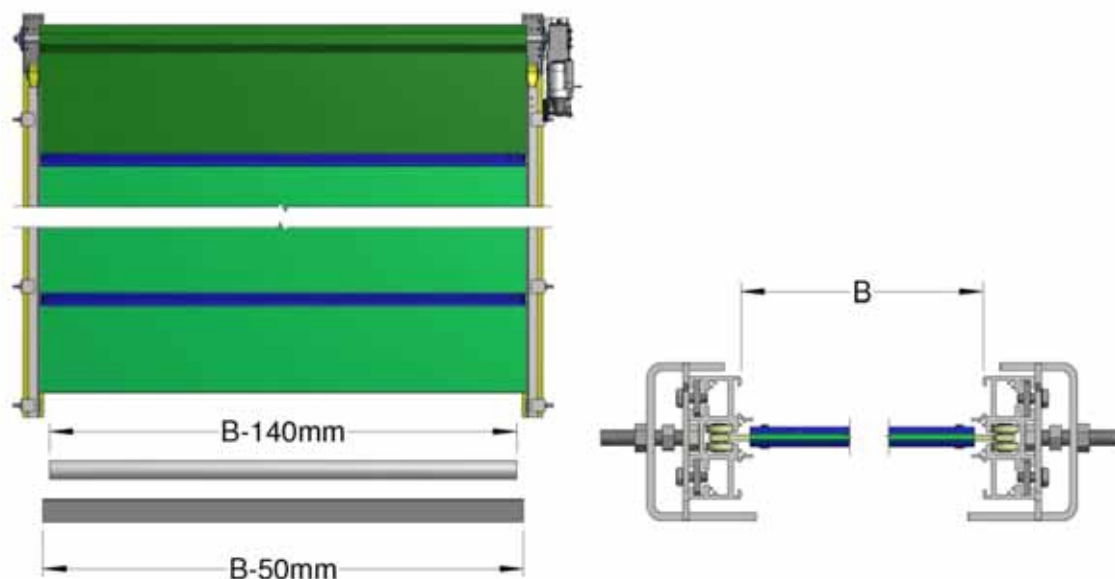


Figure 20, Cutting length of Bottom Tube and Flap

23. Slide the bottom tube onto the bottom panel Figure 21(i).

If the door is supplied with an odd number of tube weights (R1) then insert one weight to the centre of the tube and secure with M4x25 countersunk screws each end of the weight as shown in Figure 21(iii).

At each end insert the weights as shown and secure, Figure 21(iv).

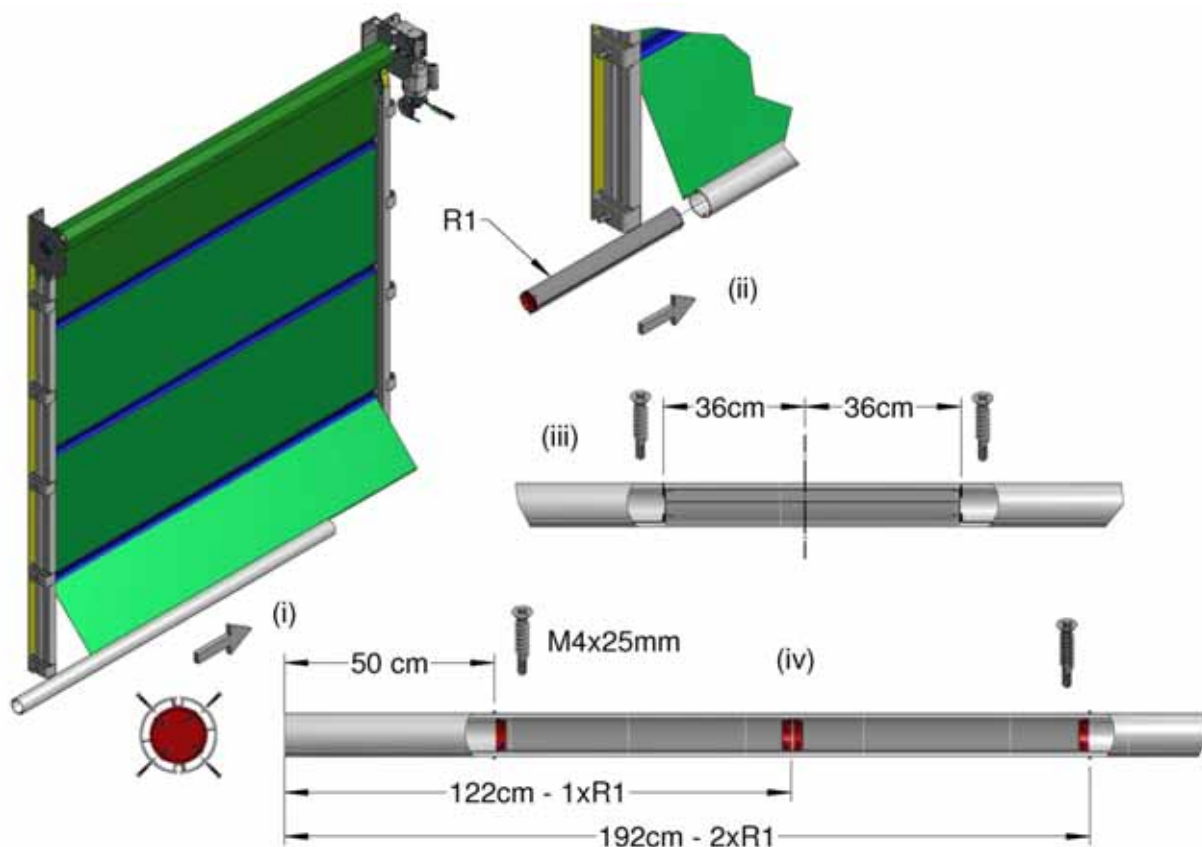


Figure 21, Bottom Tube and Weights

NOTE: If your door is supplied with an Optical Safety Edge Kit, refer to Section 32 at this stage.

Insert the bottom flap into the bottom tube. Insert the bottom tube end inserts (Q1) into each end of the tube.

ENG

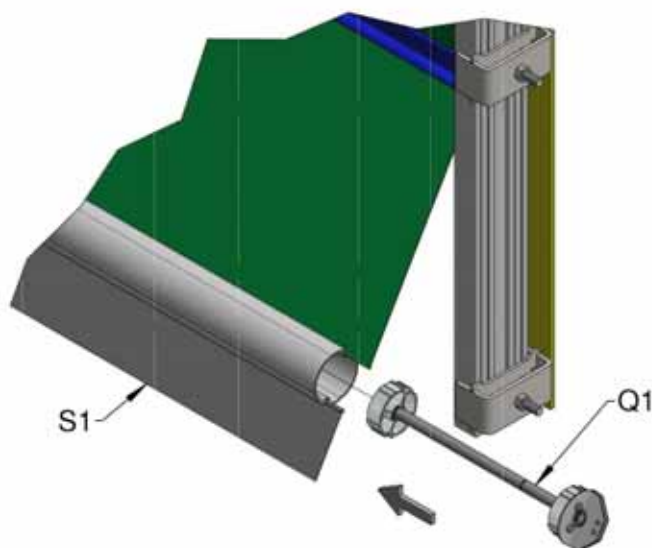


Figure 22, Bottom Flap and Tube Inserts

24. Centralise the bottom tube on the lower panel, tension sideways and secure with the M4x25mm countersunk screws as shown in Figure 23 (the first screw must be 5cm from the end of the bottom tube). Repeat with the bottom flap (S1).

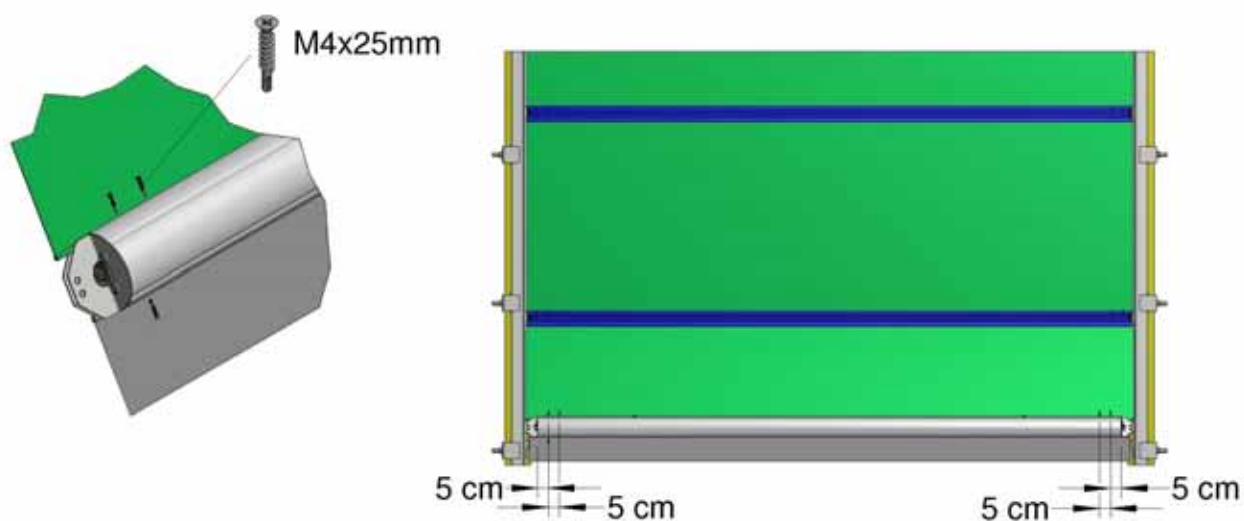
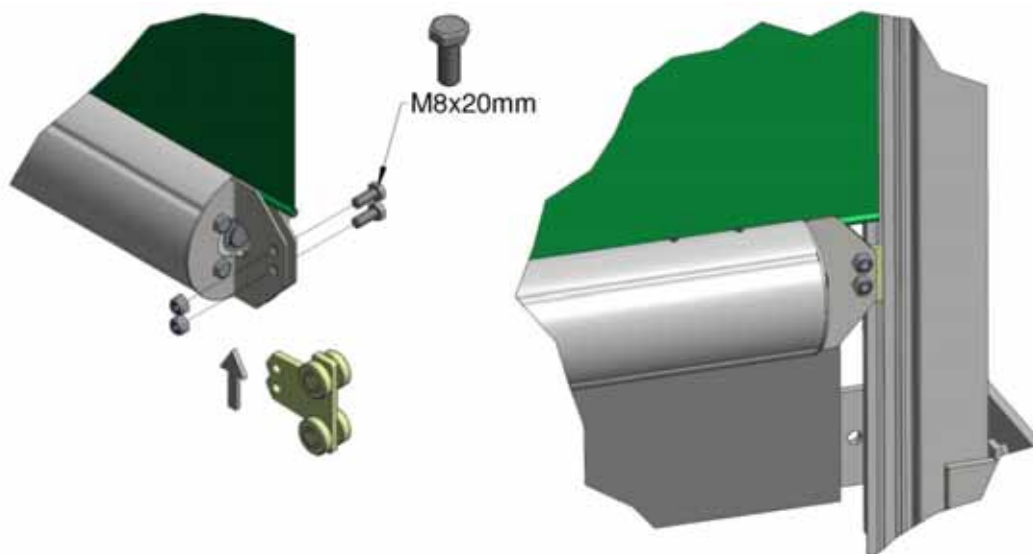


Figure 23, Tensioning the Lower Panel

- Align the bottom tube between the tracks and raise the lower trolley between the end insert plates and secure with the M8x20 bolts and nyloc nuts.



ENG

Figure 24, Lower Trolley Attachment

- Measure the length of the track and cut the tracking cover strip (M2) to length (this may require two lengths of cover strip to make the height H_1)
Trim the upper ends of the cover strip and bend as shown in Figure 26a to make two pairs of cover strips (one pair for the front and one pair for the rear).

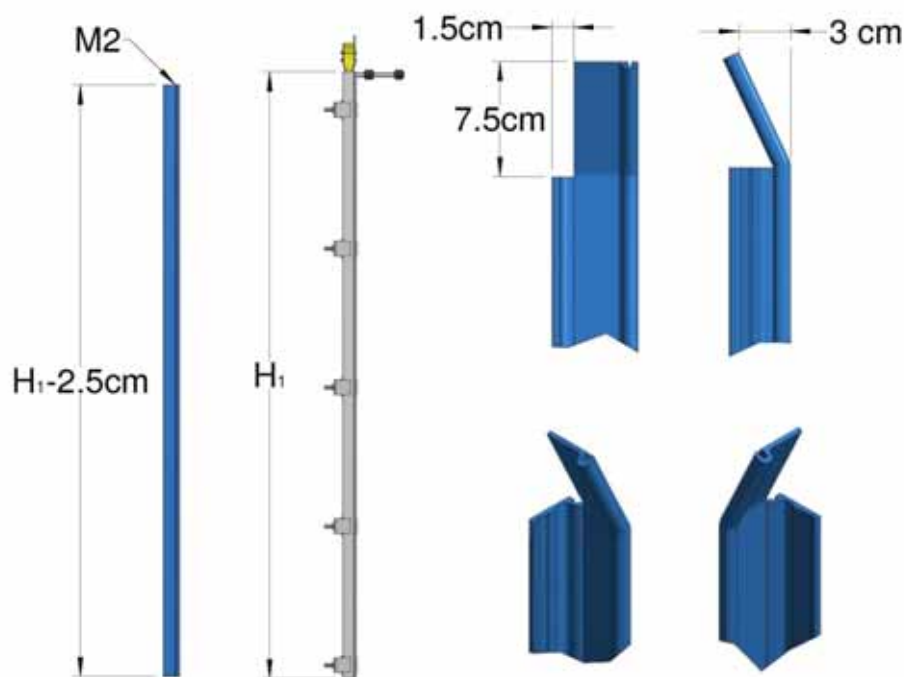
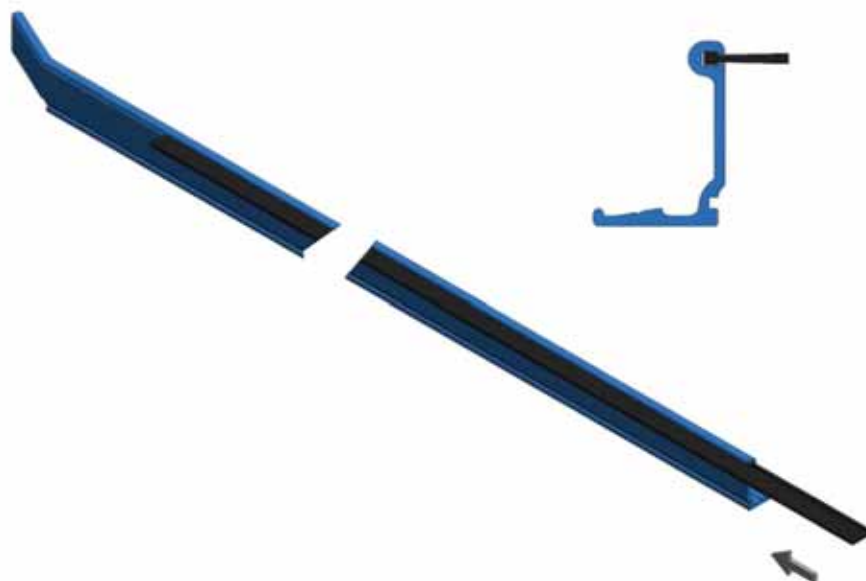


Figure 25a, Tracking Cover Strip Preparation

If the door has been supplied with brush strip then insert it into the cover strip and pinch the end of the profile to prevent the brush strip from coming out.



ENG

Figure 25b, Brush Strip

Insert the tracking cover strip into the tracking (lower piece first if fitting two lengths) and secure with the M5.5x32mm screws every 2m and at the ends

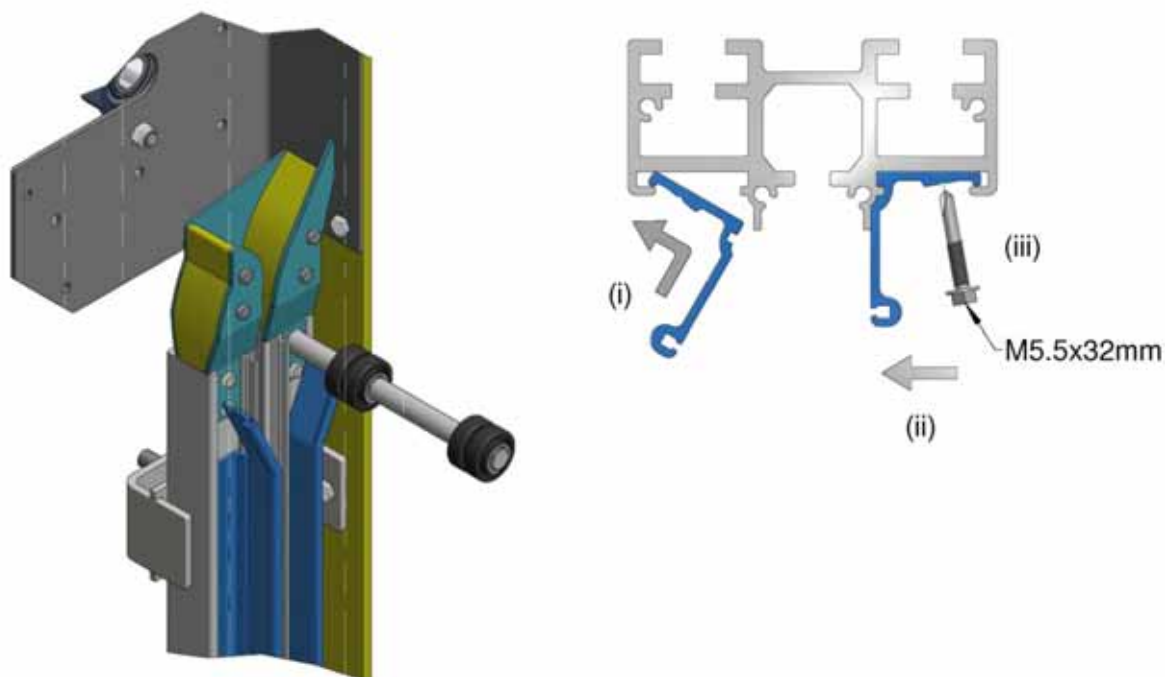



Figure 26, Install Track Cover Strip

27. Raise the door so that the bottom tube just touches the guide rollers (P1) at the back of the door. Fit the overrun limit switch bracket (V1) to the top of the track on the drive end (adjacent to the motor) in the position shown using the M5.5x19 self-drilling screws (Figure 27).

Adjust the height of the switch so that the lever arm is above the point at which the switch makes a 'click' sound.

ENG



CAUTION: The switch **MUST** be set in the 'activated' mode with the bottom tube touching the guide rollers to prevent damage to the door in the event of an overrun situation

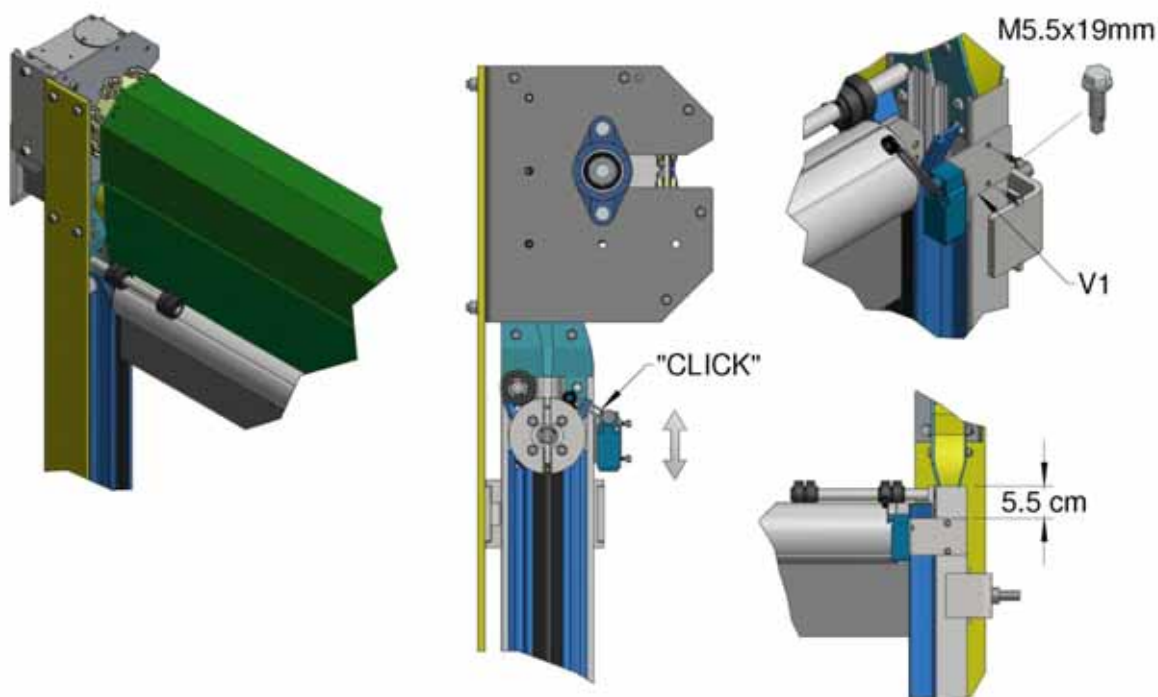
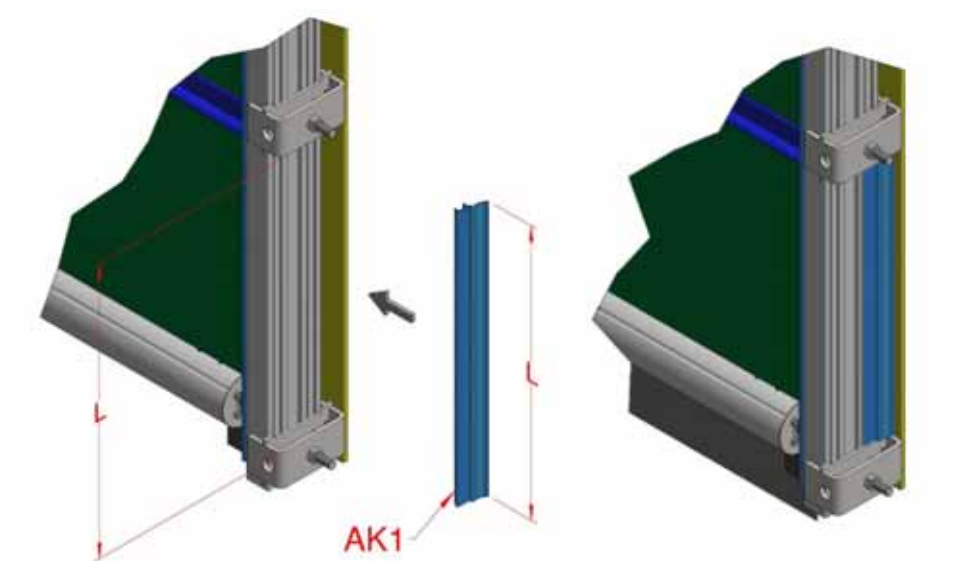


Figure 27, Overrun Limit Switch

Run the cable from the switch to the control box and connect the wires to terminals **3.1** and **3.2** in place of the link wire.

28.



ENG

Figure 28, Fitting the Sealing Strip

29. **Setting The Limits**

Raise the door so that the underside of the bottom tube is 15cm from the top of the track. Referring to the controller instructions (section 5), set this as the 'OPEN' limit position.

Close the door so that the bottom tube is just off the ground across the full width of the door and set the 'CLOSE' limit position. (This will be higher if Optical Safety Edge is fitted).

Referring to the controller instructions (Section 8) programme function 3.4 to .2 for hold-to-run control after crash detector activation.

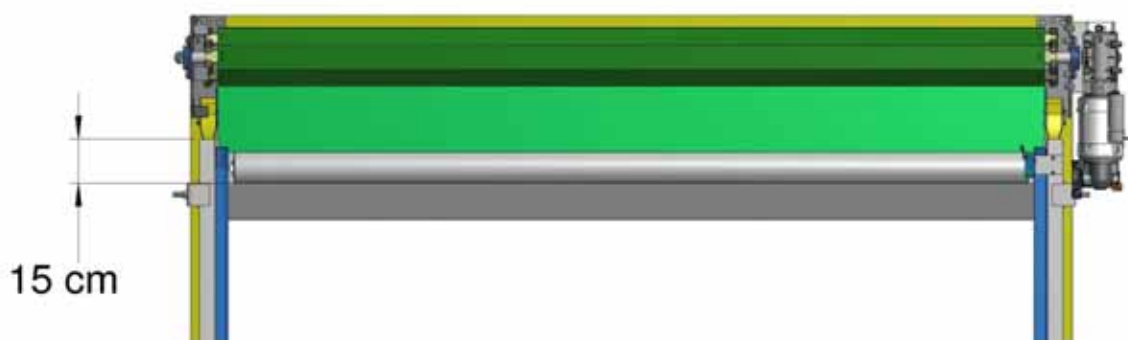
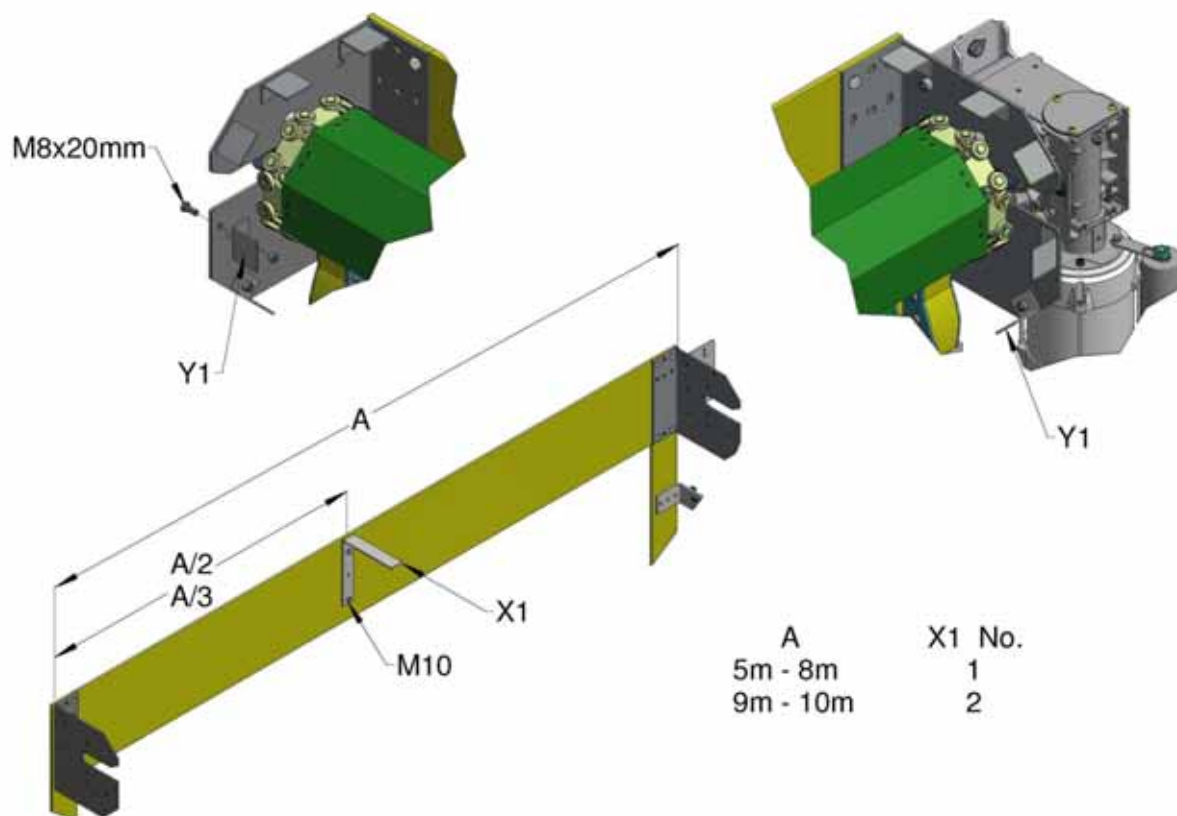


Figure 29, Open limit position

30. *Door Cowling*



ENG

Figure 30, Cowling Brackets

Fit cowling brackets (Y1) to the top brackets using the M8x20mm fixings
 Fit the cowling support bracket (X1 – 1 bracket for doors up to 8m wide, 2 brackets for doors over 8m wide) using the M10 bolts.

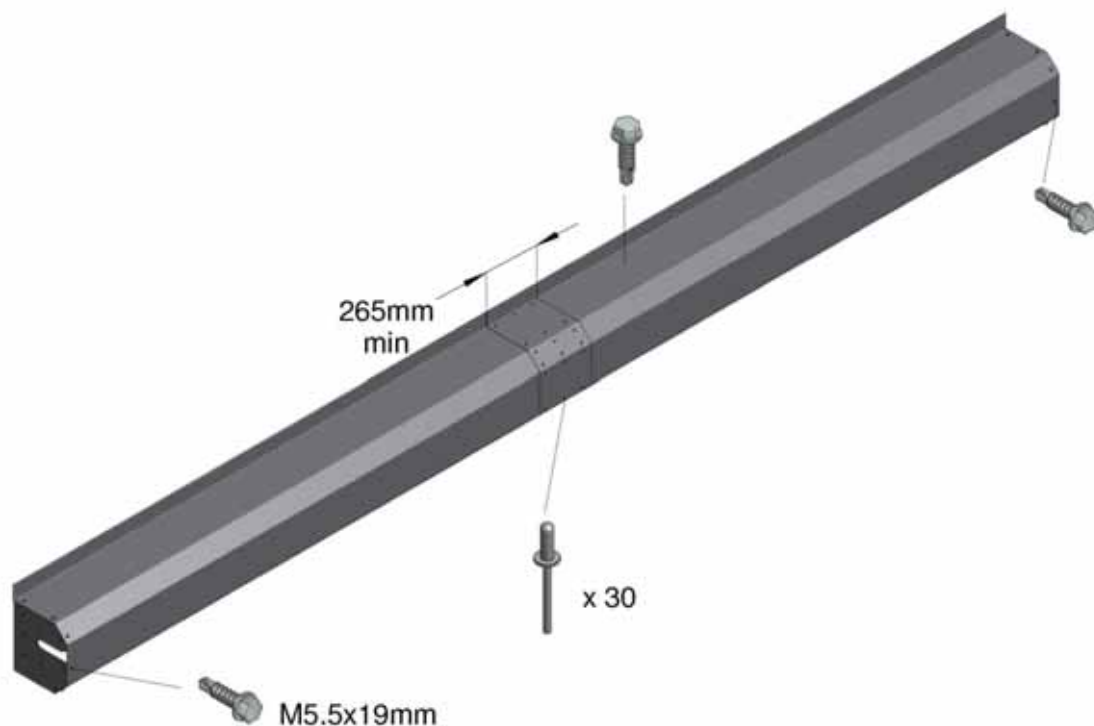


Figure 31a, Door Cowling Assembly - Direct

Join the cowling with a minimum overlap of 265mm (Figure 22). Secure with 30no. rivets, 6 in each of the five faces. Offer cowling to brackets and secure with M5.5 x 19 self-drilling screws supplied. Fix rear upstand to building, sealing to prevent water ingress if necessary.

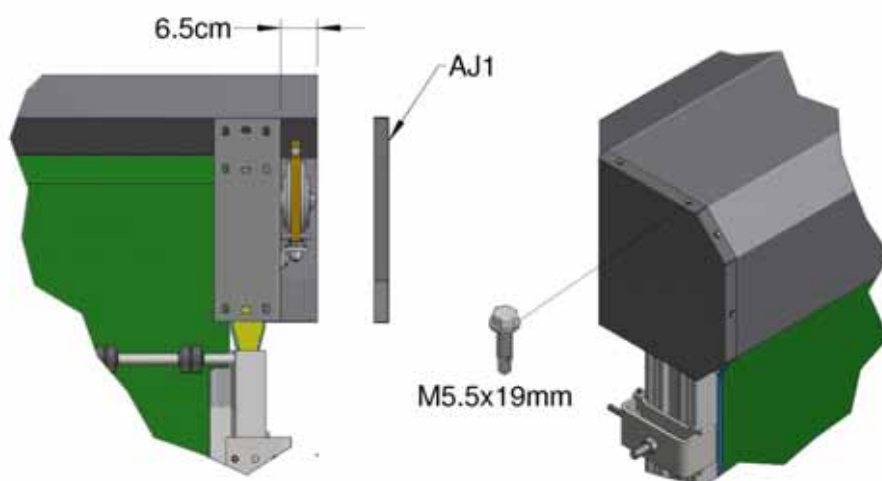
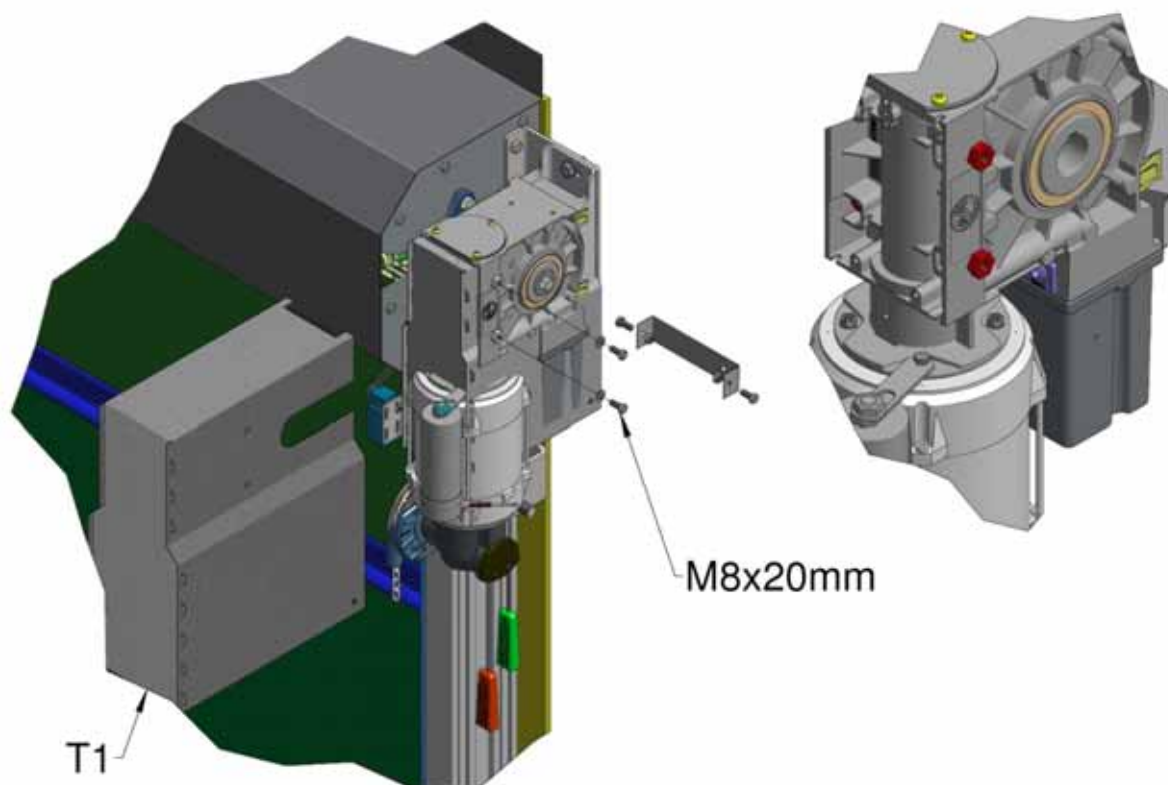


Figure 31b, Door Cowling Assembly - Indirect

31. **Motor Cover**

Direct drive

Fit the motor cover (T1) to the motor using the M8x20 bolts and washers.



ENG

Figure 32, Motor Cover Direct

Indirect Drive (optional)

Fit the motor cover (AF1) to the mounting studs on the motor and secure using the M8 nuts. Fit the chain guard (AG1) to cover the chain drive using the M8x20 bolts and nuts and the M5.5x19mm self drilling screw (10cm from the door mounting face).

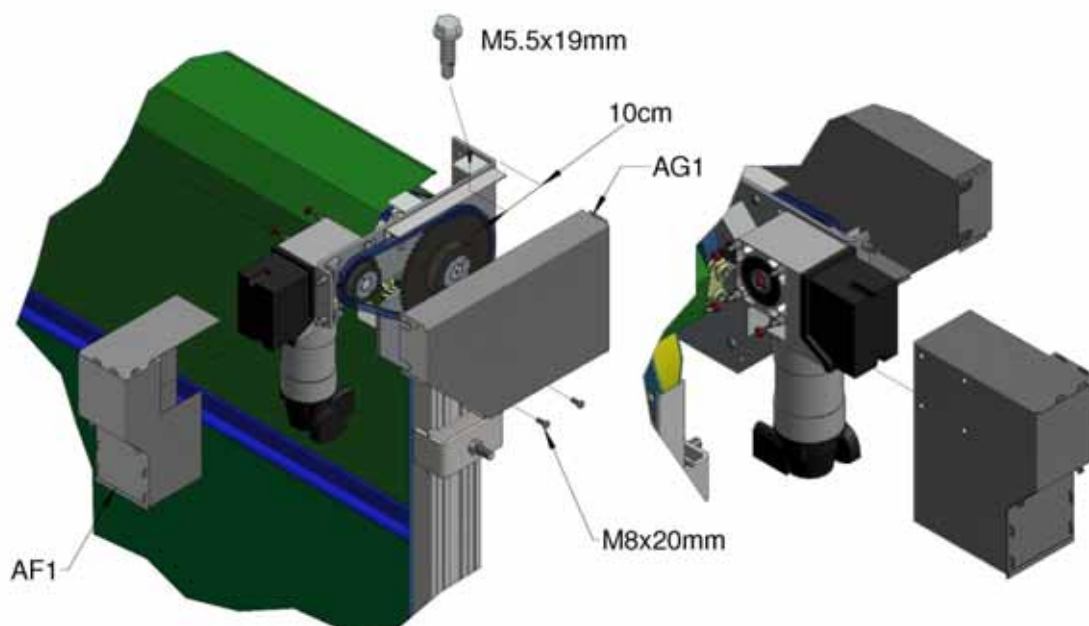


Figure 33, Motor Cover Indirect

32. Optical Safety Edge

If your door has been supplied with TS971 control box the Optical Safety Edge Kit will need to be fitted for safe operation.

Attach the radio transmitter (SA1) to the mounting bracket (SB1) using the M5x12mm bolts and nuts (SC1). Attach the assembly to the bottom tube on the same end as the drive and control box as shown in Figure 34a using the M4x16 screws (SL1).

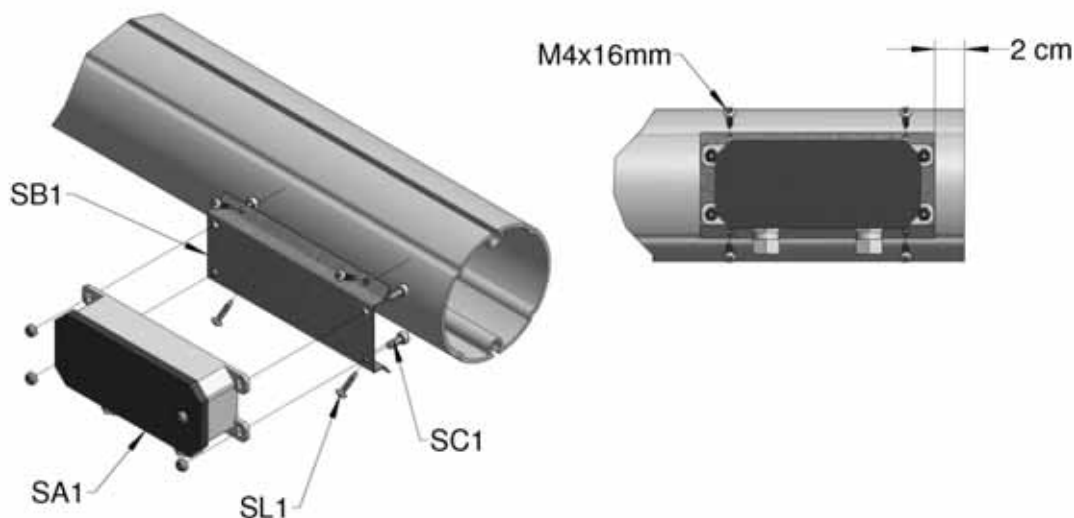


Figure 34a, Radio Transmitter Mounting

REFERENCE	QTY	PART DESCRIPTION
SA1	1	Radio Transmitter
SB1	1	Mounting Bracket
SC1	4	M5x12 Bolt and nut
SD1	2	Bumper Block
SE1	1	Rubber Profile
SF1	1	Aluminium Carrier
SG1	2	M5x40 Cap Screw
SH1	2	Insert Locker
SI1	1	Transmitter
SJ1	1	Receiver
SK1	2	Bung
SL1	4	M4x16 Self drill screw

Cut the aluminium carrier (SF1) and rubber profile (SE1) to the length of the bottom tube – 6cm. Cut a slit about 2cm long through the flap and rubber profile into the top cavity directly beneath the radio transmitter to allow the electrical cables to exit. Feed the transmitter (SI1) and receiver (SJ1) cables in through the ends of the top cavity of the rubber profile and out through the slit.

Push the transmitter and receiver into the end bungs (SK1) and into the bottom cavity of each end of rubber profile. Fit the M5x40 cap screw (SG1) through the bumper block (SD1) and into the insert locker (SH1). Slide the insert locker into the bottom tube so that the bumper block is flush with the end of the tube and tighten.

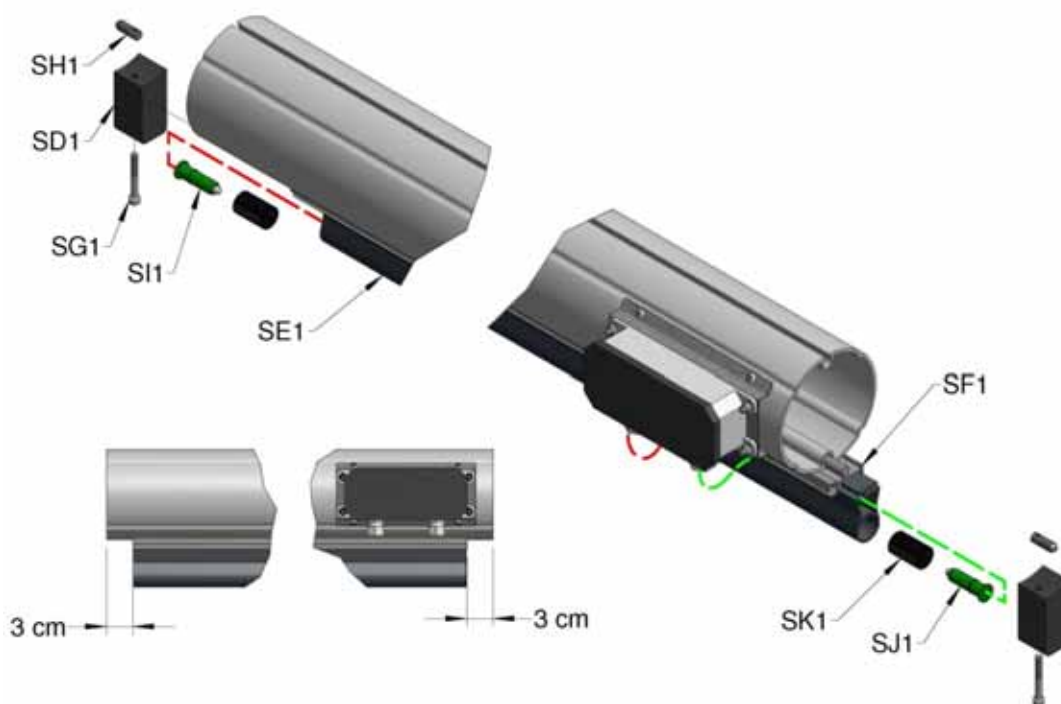
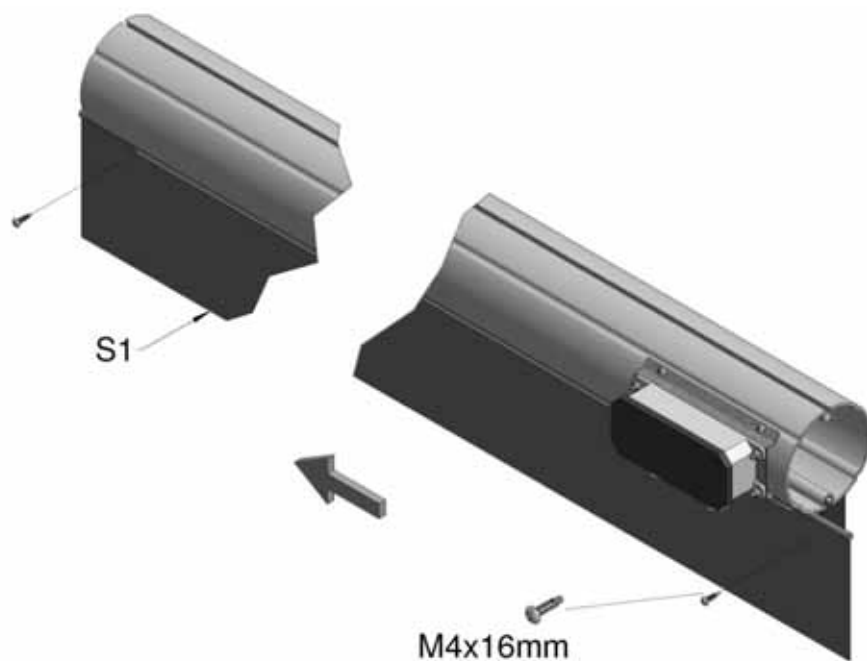


Figure 34b, Safety Edge Profiles

Referring to the control box instructions (Section 6) connect the wires to the radio transmitter and 'Teach' the transmitter to the controller.

Slide the lower flap into the aluminium carrier and secure each end with the M4x16 self drilling screws into the bumper blocks.



ENG

Figure 35, Lower Flap

33. CE Marking Electrically Operated Products under Machinery Directive

It is the responsibility of the installer to check that the installation conforms to the specific safety features detailed in the Manufacturer’s Installation Instructions, to issue the CE Declaration of Conformity and mark a power operated product under the Machinery Directive 2006/42/EC. To do this you will require the following which should be delivered with the product:

ENG

- 1) This set of Installation Instructions (*operating and maintenance instructions*)
- 2) Maintenance Log Book, (*including Installation Checklist and Customer Declaration of Conformity*)
- 3) 1 x Declaration of Conformity (Installer Copy) – *to be completed*
- 4) A CE Label

When CE marking a power operated Galebreaker product, it is vital to follow the steps outlined below:

- a) Install the product as per instructions, with no adaptations or modifications and complete of the *Health and Safety Checklist* in the Maintenance Log Book.
- b) Complete the two ‘Declarations of Conformity’ using the following:
 - **Model Type:** As shown on CE Label
 - **Serial Number:** As shown on CE Label
 - **Installation Company:** Your company name
 - **Date Installed:** Date Installed
 - **Declaration made by:** Responsible Person
 - **Declaration and Instructions received by:** Customer’s Signature
- c) Fix the supplied CE label to the bottom tube. The label should be accessible / visible. Where the serial number does not incorporate the door size, add the Product width and Product height to the end of serial number using a permanent marker pen. i.e. the full serial number should read


Serial Number: 1234 / ADP W X H

[W] Product Width (m)

[H] Product Height (m)

- d) Your customer must be given a copy of the completed 'Maintenance Log Book' along with the 'Installation Instructions' supplied by Galebreaker. These should be stored adjacent to the door controls for reference purposes.
- e) Finally, ask your customer to sign the 'Declaration of Conformity' (Installer Copy). This important document must be filed back at the office of the installer for future reference

ENG



ATTENTION: Use of motors or controllers that are not supplied by Galebreaker, will make the installer the manufacturer (as defined by the Machine Directive 2006/42/EC) of the system and will require the installer to produce their own 'EC Declaration of Conformity' and product 'CE label'.

In such circumstances the door supplied by Galebreaker becomes a partly completed machine and therefore a Certificate of Incorporation can be supplied on request. The installer **MUST NOT** use the CE documentation supplied by Galebreaker.

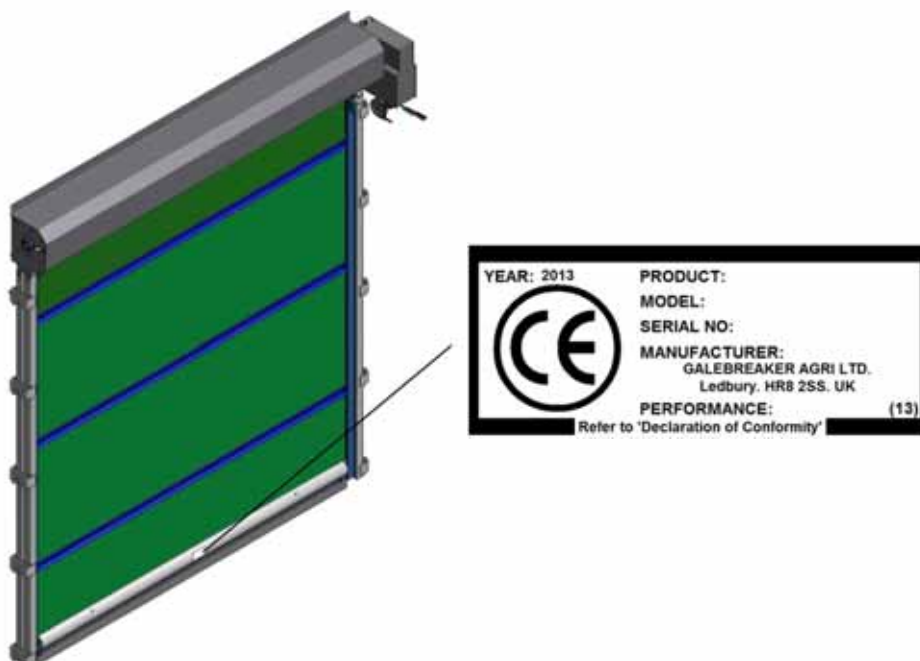


Figure 36, CE Label Location

YOUR DOOR IS READY FOR USE

OPERATION AND MAINTENANCE

How to use your door

TS959 Controller

Press the 'Open' or 'Close' button to raise or lower the door. The door can be set to open and close in hold-to-run mode or open in self-hold mode and close in hold-to-run mode (see instructions for controller)

ENG

Should the door pass the 'OPEN' limit due to ice build-up on the sheet etc. then the door will stop at the overrun switch position. The door will require lowering manually using the override chain (see below).

Pull the red grip to engage manual override and then lower the door by pulling on the chain. With the door lowered past the 'OPEN' limit, pull the green grip to disengage the manual override. The door can be used in normal operation again.

TS971 Controller

Press the 'Open' or 'Close' button to raise or lower the door. The door can be set to open and close in hold-to-run mode or in self-hold mode with the optical safety edge fitted (see instructions for controller).

Should the door pass the 'OPEN' limit due to ice build-up on the sheet etc. then the door will stop at the overrun switch position. Press and hold the DOWN button to lower the door past the 'OPEN' limit to restore the door to normal operation.

Manual Override

Should there be a power or motor failure the door can be operated manually using the chain drive. Pull the red grip to engage manual override and then raise or lower the door by pulling on the chain.

Pull the green grip to disengage the manual override, the door can be used in normal operation again.



ATTENTION: It is important that the door is either fully open or closed when the wind speed is above 32kph / 20mph

Important Safety Information

- This door must only be operated by users familiar with its operation.
- When operating the door do not place fingers near the tracking or other moving parts at any time.
- The person operating the door must have the door in sight at all times during its operation.
- Do not permit children to play with the door or its electrical controls.
- Do not modify or attach any objects to the door as this may cause damage and/or injury.
- Operate the door only when properly adjusted and free from obstructions.

-
- Should the door become difficult to operate or inoperable, consult your local dealer. Repairs should only be carried out by competent personnel.

How to maintain your door

ENG

- Check annually for corrosion of the supporting bolts fixing the product to the building, the bearings and shafts on the top brackets and the door in general. Replace suspect items to ensure it is safe for operators and bystanders alike.
- Grease the bearings on the drive shaft and bearing shaft once per year.
- Check annually the electrical cables for damage. Use a qualified electrician for any repair.
- Check the drive unit for loss of oil (a few drops can be neglected).
- Should Screen material be damaged, repair with special repair kit (code SPS-99) available from your Galebreaker dealer, importer or head office.

How to dismantle your door

Follow the installation instructions in reverse order.

ENG

NOTE: This product has been tested to European Standard EN 13241 with a Resistance to Wind Load rating of Class 5. Tried and tested in the harshest weather conditions, a summary of our guarantee is listed below, see our website for full details:

- **Mechanical components: 100% guarantee for two years, followed by an eight year graduated guarantee.**
- **Electrical components: 100% guarantee for two years, followed by a three year graduated guarantee.**

RAIN INGRESS:

Please note that in extreme weather conditions some moisture will penetrate a mesh material.

Wind Load Resistance:

Mesh 75% Solid

Class 5

Solid Material

Class 5



Manufacturer: Galebreaker Agri Ltd.
Galebreaker House
New Mills Industrial Estate
Ledbury
Herefordshire, UK
HR8 2SS

Tel: +44 (0) 1531 637 900

Fax: +44 (0) 1531 637 901

www.galebreaker.com

Designed and Manufactured in the UK by Galebreaker Agri Ltd.,
Original Instructions

© Copyright Galebreaker Agri Ltd 2015. All Rights reserved

Model No: ADP/Mk1/15/06

Instruction Ver: 2016/04/ENG