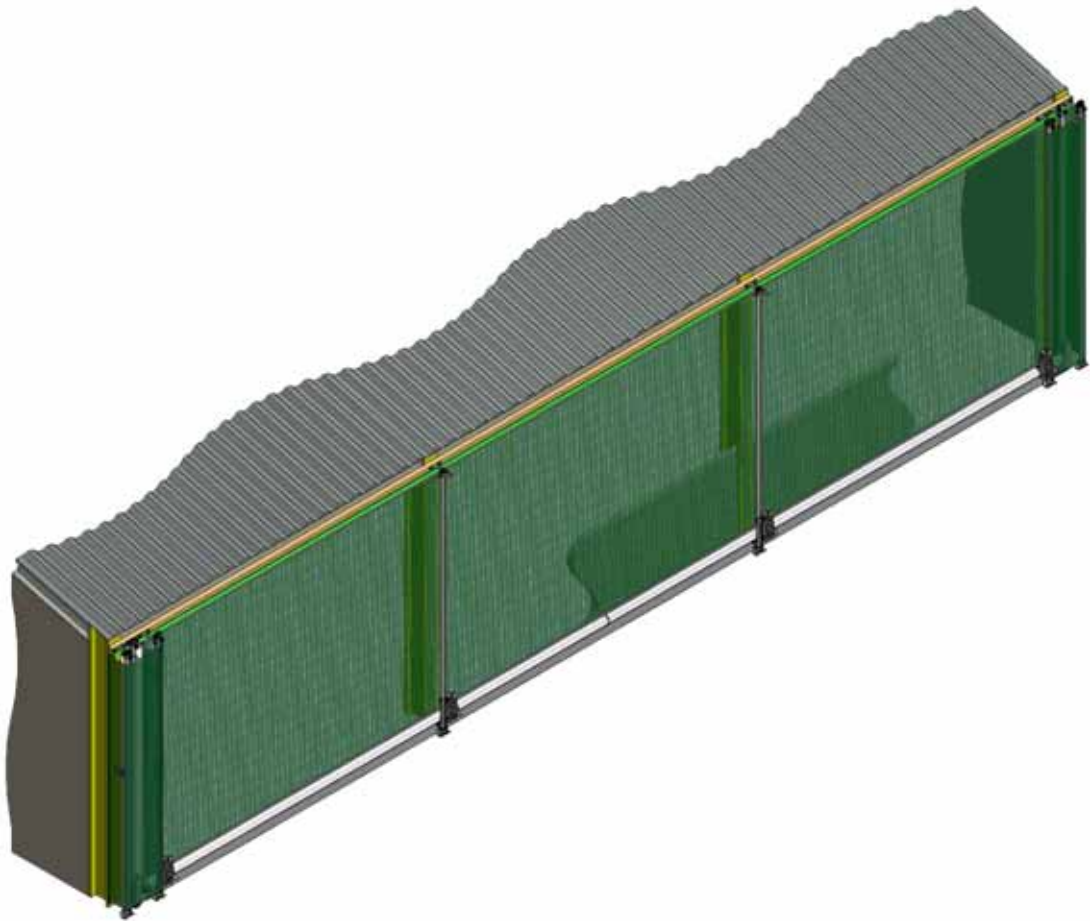


Multibay Access (Bottom Rolling)

ENG



Installation Instructions



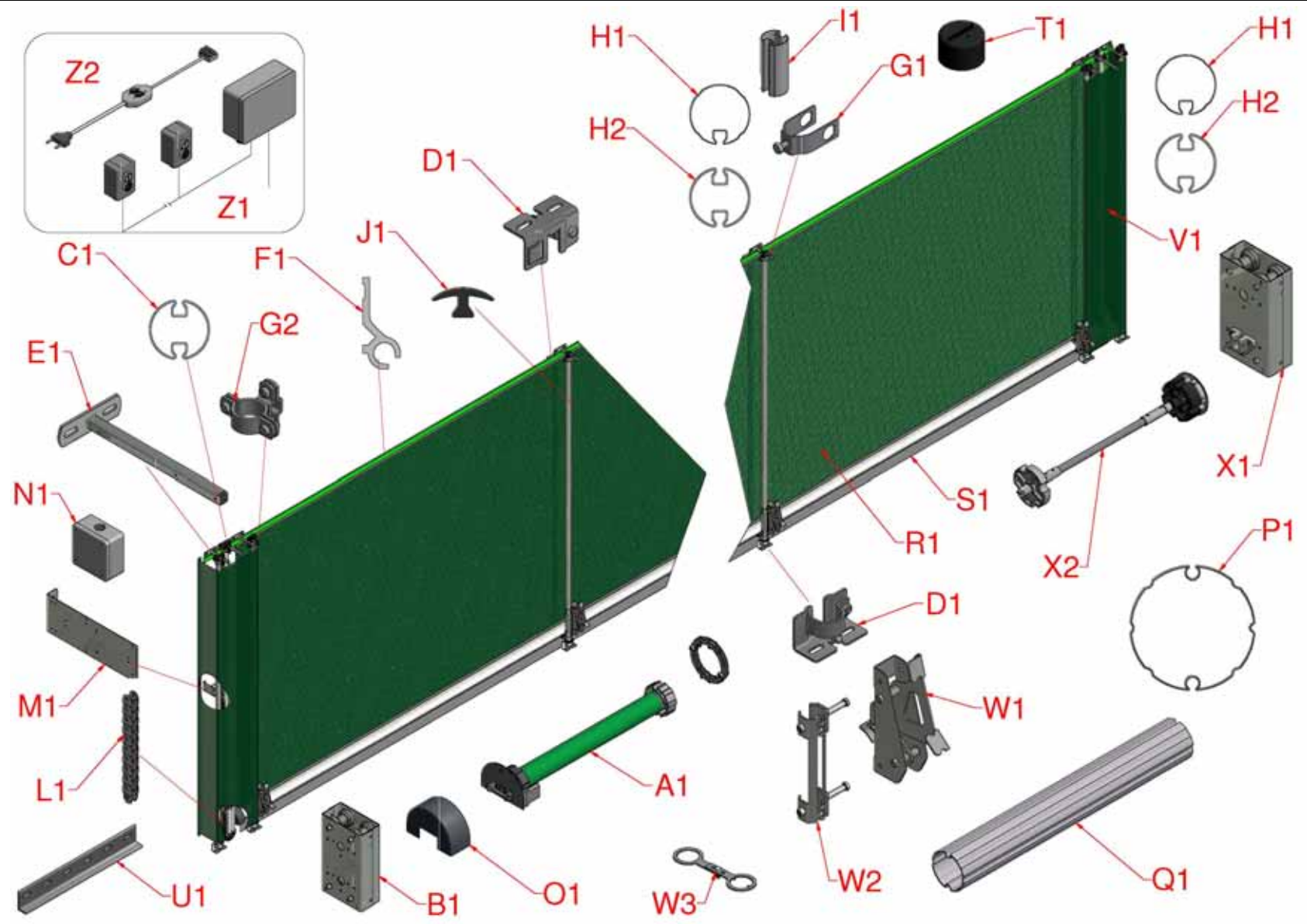


Figure 1, System Overview

1. Introduction

Parts List

FIGURE 1 REFERENCE	QTY	PRODUCT DESCRIPTION
A1	1	Tubular Motor
B1	1	Drive End Trolley Box
C1	1	Torque Tube (49mm double flute tube)
D1	*	Ground / End Support for 49mm Tube
E1	*	Face Bracket with 20mm SHS
F1	*	Kador "P" Profile
G1	*	Cross Clamps for 20mm SHS x 49mm Tube
G2	*	Crossover-Clamp For 20mm SHS x 49mm Tube
H1	*	Inner Control Tube (49mm single flute tube; B<3m)
H2	*	Control Tube (49mm double flute tube)
I1	*	48x100mm Reinforcement Collar
J1	*	Protection Insert for 5mm Flute
K1	1	Safety Clutch
L1	1	Energy Chain
M1	1	Offset Mounting Bracket for Junction Box
N1	1	Junction Box
O1	1	Trolley Box Cover
P1	*	Bottom Rolling Tube (100mm double flute tube)
Q1	*	750 x 100mm Aluminium Tube Joiner
R1	1	Curtain
S1	1	Bottom Flap
T1	*	49x30mm Tube End Cap
U1	*	Face-Face Cover Bracket
V1	2	End Cover (drive end and free end)
W1	*	Locking Catch
W2	*	Locking Catch Fittings (ref Section 5)
W3	*	Distance Keeper
X1	1	Free End Trolley Box (Optional)
X2	1	Free End Shaft (Optional)
Y1	1	Locking Catch Lever (not shown)
Z1	1	Contact Box and Drive Switches
Z2	1	Setting Switch

The system length, number of bays and the control tube option ordered dictates the quantities not stated. Please check the delivery paperwork for precise numbers and control tube configuration.

Safety

The installation of the curtain is not recommended during excessive wind speeds as it could cause damage to the curtain or injury to the Installer.


Terminology

- B = Daylight Gap, Height of Opening.
- C = Centre to centre length of the Building Bays
- N = Number of Bays
- “FF” = Face–Face Configuration (face brackets top and bottom)
- “FE” = Face–End Configuration (face brackets top and end brackets bottom)

ENG

Pre-Installation Check

For detailed structural and electrical requirements, refer to *Multibay Pre-Installation Instructions*:

	CAUTION: In the event of power or door failure, the door must not form the only means of exit from the building to which it is fitted.
--	---

Wind Loadings


The structure to which the door is fitted needs to be of adequate strength to resist the following wind loads.

Wind Speed (km/hr)	Wind Load (N)*	Wind Load (Kg)*
70 km/hr	= L x B x 233	= L x B x 24
100 km/hr	= L x B x 481	= L x B x 49
140km/hr	= L x B x 933	= L x B x 95

**No allowance made for safety margins*

Electrics

Only allow qualified electricians to work on the electrical connections of the door. This document covers the key instructions with regards to bringing the Electric Drive into service. Read the additional information from the supplier of the Electrical Motor and Control Box for full installation instructions.

	ATTENTION: The power supply must be taken from a LOCKABLE isolation switch positioned within 3m from the door.
---	---

Installer Competence

The installer should be able to demonstrate the required level of competence via evidence of installing similar products or formal training. If competence cannot be proven then they should not be allowed to install the product.

Product Description

The door is a power operated vertically moving rolling door comprising of a flexible curtain capable of being rolled and for which the main intended uses are giving safe access for goods and vehicles accompanied or driven by persons.

ENG

Noise Levels

A-weighted sound pressure level (dB)	60
C-weighted peak sound pressure level (dB)	65

Items Required by Installer

Standard tool kit including:

- Electric drill
- Angle grinder
- Sharp pair of scissors or knife
- Spirit level
- Bolts or screws for fixing system to building are not supplied, the following table can be used to estimate quantities of fasteners required but it is the responsibility of the installer to determine the exact amounts.
- Clips to fix electrical cables to the building
- Power for motor (220Volts, 600Watts, 3Amps)

Key Instructions

CAUTION: Potentially hazardous situation: must be avoided otherwise injuries may result.



ATTENTION: Observe the given instructions otherwise the product or adjacent items may be damaged

NOTE: Helpful comments and information to assist in installation or use of your product

NOTE: Before starting the installation you must fully read these instructions (including the separate electrical details) to completely understand the procedure.
Keep the instructions supplied for reference purposes.

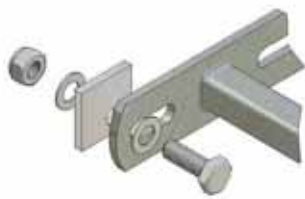
NOTE: Colour versions of the installation instructions can be downloaded from our website:

www.galebreaker.com

ENG

Fasteners and Quantities

a Control Tube Brackets (D1 & E1)



Metal



Concrete



Wood

	Quantity of M10 fixings suitable for wood, concrete, metal	
	Face – End	Face – Face
Upper Brackets	= 8 + (4 x N)	= 8 + (4 x N)
Lower Brackets	= 8 + (4 x N)	= 10 + (2 x N)

N = Number of bays

b



M6 Suitable for wood

Qty 2 per meter

Note

The following instructions contain illustrations for a Face-End (FE), Left Hand Motor Drive and minimum closed gap. If the system that is being installed is a Face-Face (FF), Right Hand Motor Drive or maximised clearance please refer to the amendments shown in Figures 2a, 2b and 2c respectively.

FACE-END**FACE-FACE**

ENG



Figure 2a, Control Tube Mounting Options

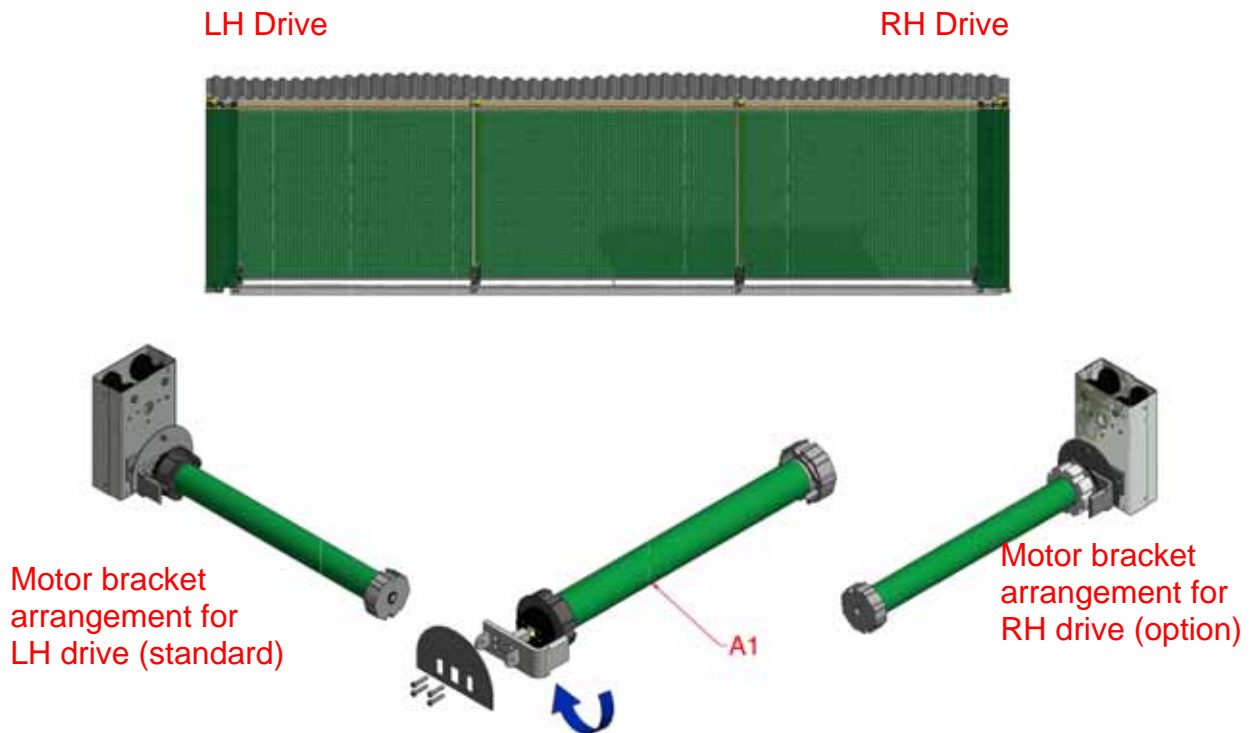
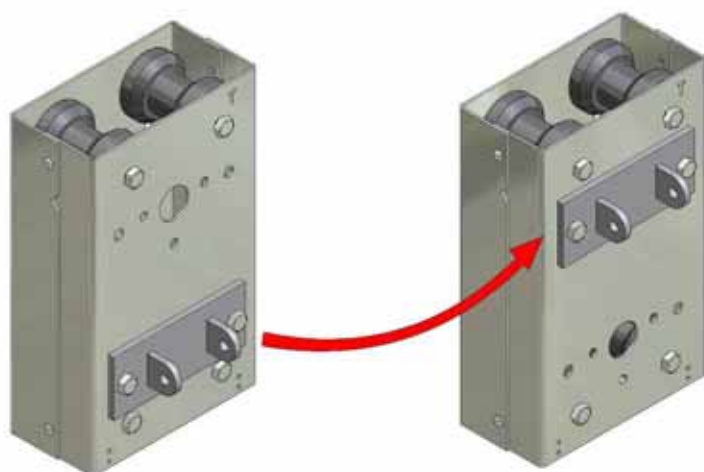
Drive Motor End Options

Figure 2b, Drive Motor End Options

The Motor and Stop Bracket Assembly (A1) is supplied as standard for a left hand drive, if the Motor is to be fitted to the right hand side, the Stop Bracket will need to be converted to the RH Motor configuration as shown in Figure 2b above. Remove the four screws in the end of the Motor and remove the Cover Bracket. Pull the Stop Bracket out of the Motor, rotate 180 degrees and reassemble ensuring the four screws are tight.

If the Multibay has been ordered for a maximised clearance then the bottom tube will be fitted to the upper position of the Trolley Box, Figure 2c.



ENG

Figure 2c, Maximised Clearance

2. Control Tube and Bracket Installation

2.1 Fit the upper Face Brackets (E1) at each end of the building with appropriate fasteners to the top beam, as shown in Figure 3. The three Face Brackets at the drive end should be positioned at 15.5cm centres. The two Face Brackets at the free end should be positioned at 31cm centres. A 4cm gap should be allowed beneath the Face Bracket to fix the curtain Kador Profile, Section 3.1.

ENG

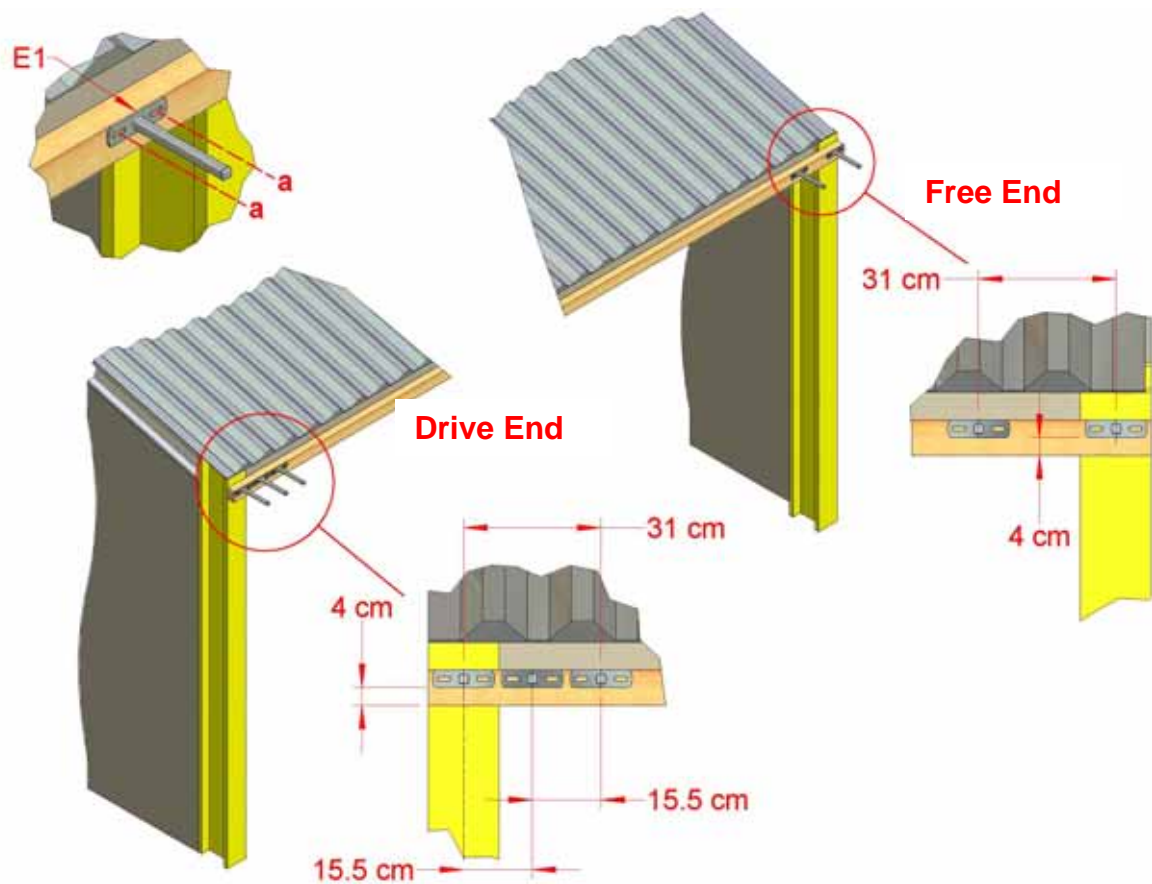


Figure 3, Drive and Free End Face Bracket Installation

2.2 Attach the Kador Profile (F1) to the ends of the system using the M4x19 self drilling screws (c) as shown in Figure 4.

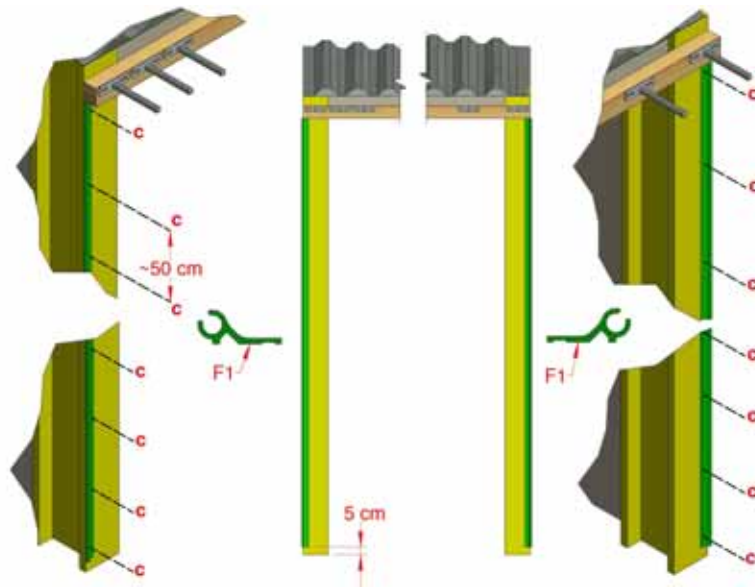


Figure 4, End Cover Kador Profile

2.3 Fit the upper Face Brackets (E1) at each intermediate bay upright as shown in Figure 5a. The top edge of these brackets must be aligned horizontally with the end Face Brackets at the ends of the installation.

2.4 At each intermediate bay upright fit the upper End Supports (D1) to the underside of the wooden beam so that the Supports have a 3.5cm offset from the middle of the upper Face Bracket as shown in Figure 5a for Face-End and Figure 5b for Face-Face configuration.

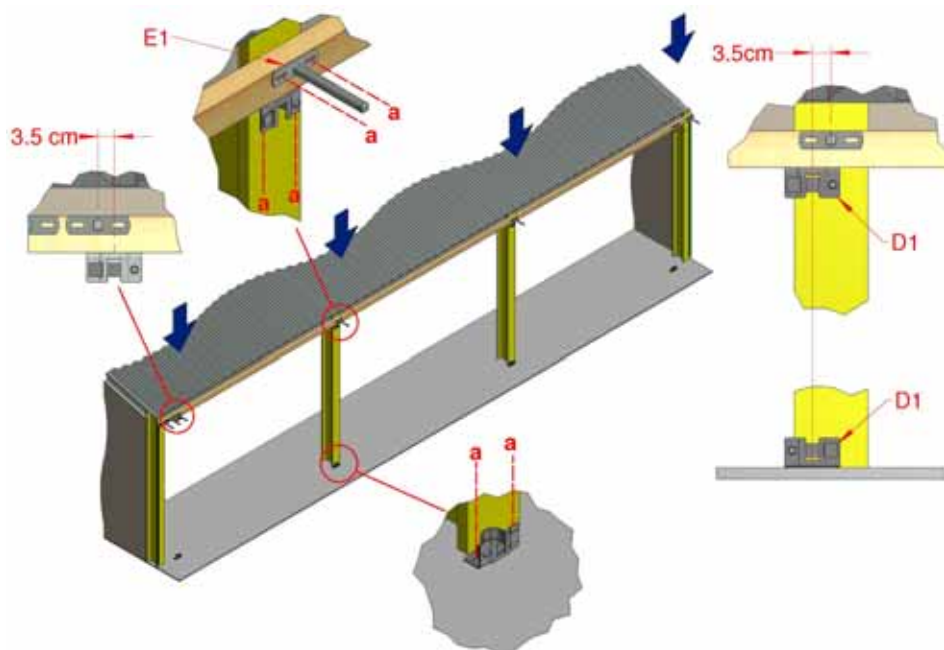


Figure 5a, Intermediate Control Tube Bracket Installation (Face-End)



CAUTION: Use only M10 bolts to fit your Multibay brackets. Ensure all brackets are securely fastened to the building. Failure of these fixings will result in your Multibay or components falling off the building, potentially injuring operators and bystanders

ENG

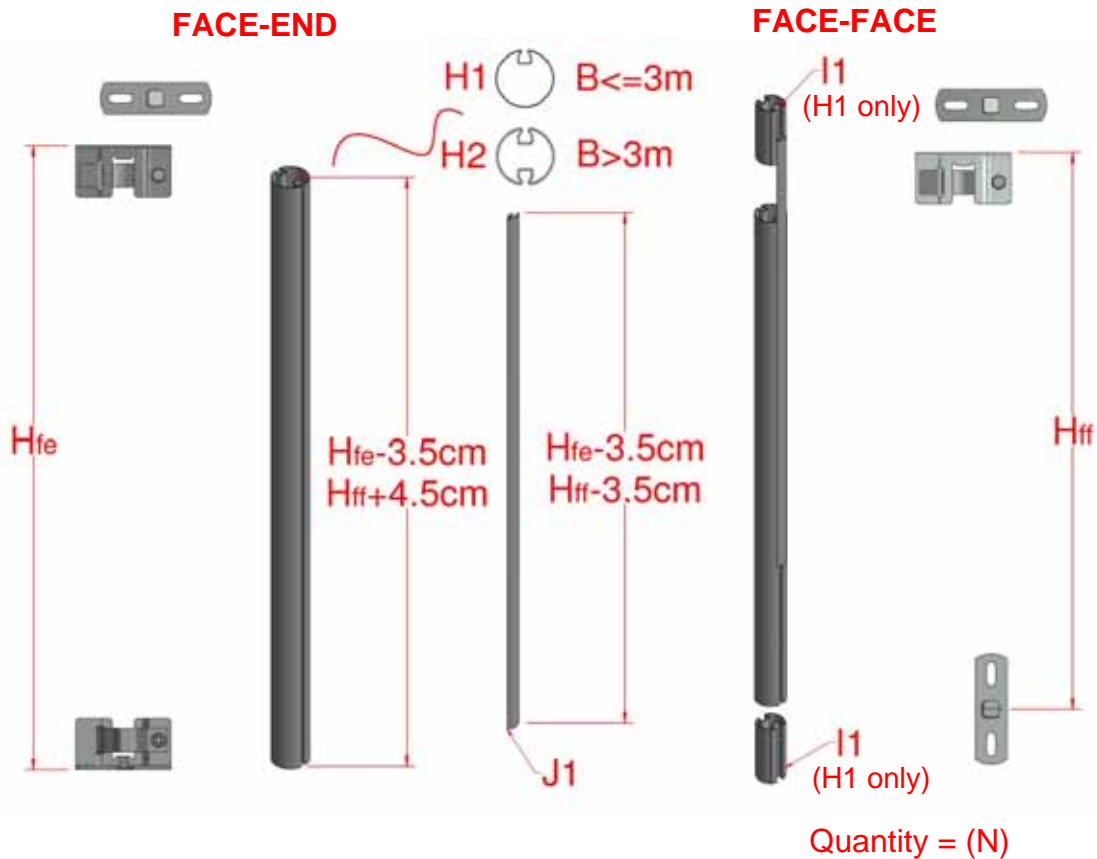
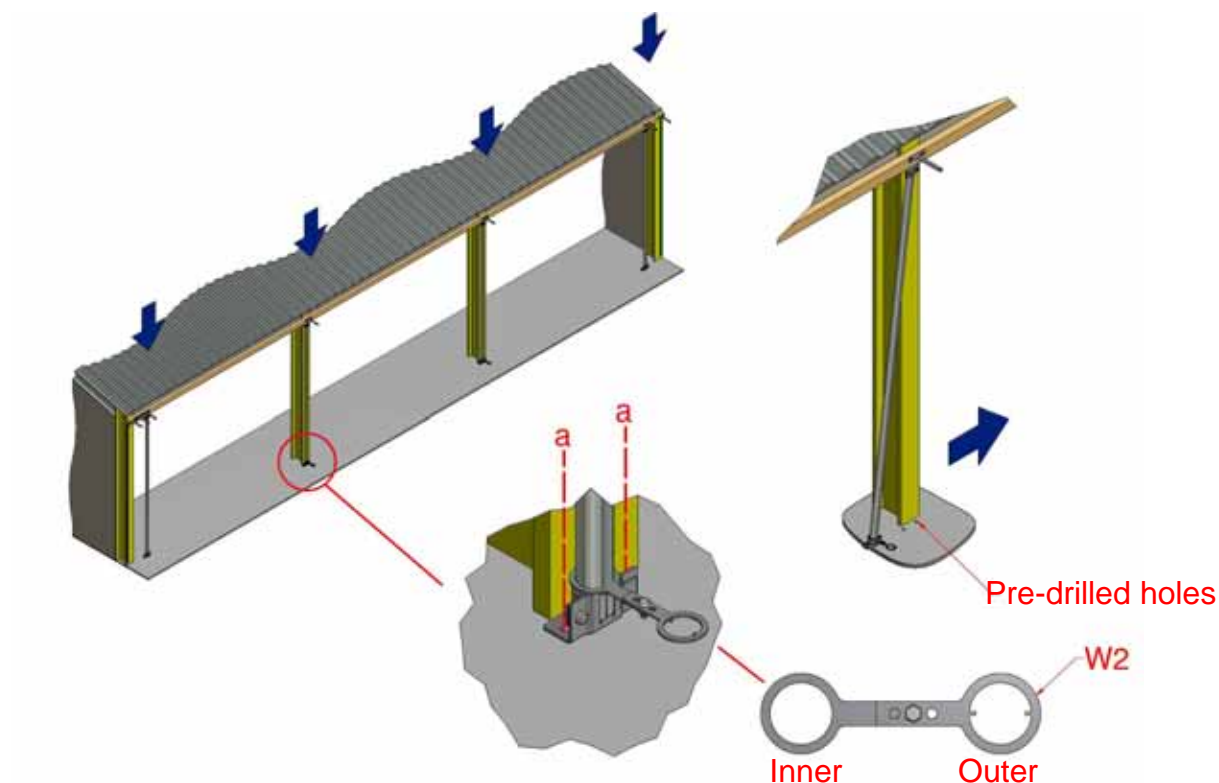


Figure 6, Inner Control Tube Assembly

NOTE: On systems where $B > 3m$ all inner control tubes are to use twin flute tubes (H2) as supplied.

- 2.6 Cut the Control Tubes (H1) to the correct length as shown in Figure 6. Slide the Protection Insert (J1) into the tube flute and locate the Reinforcement Collars (I1) into the Control Tube ends (single flute tubes only). The quantity of inner Control Tubes to prepare is equal to the system number of bays N plus one, (i.e. Quantity = N+1).

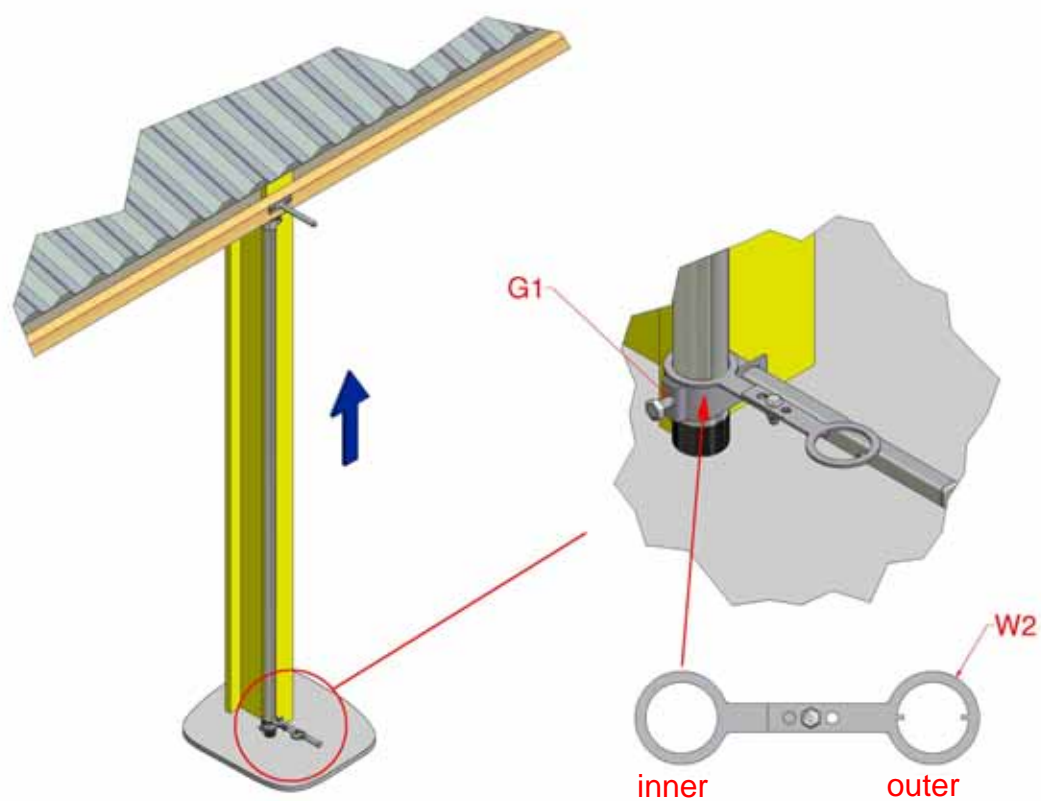
- 2.7 Inner Control Tubes are to be installed at each intermediate bay upright and at each end of the installation.



ENG

Figure 7, Inner Control Tubes Face-End

- a) For Face-End installation slide the plain hole end of the Distance Keeper (W2) and the lower End Support (D1) on to the bottom of the inner control tube, Figure 7. Position the top end of the tube into the upper End Support (D1) and swing in to position so the lower End Support locates with the pre-drilled holes in the floor. Fix the lower End Supports using the correct fixings. Tighten the End Supports so that the tube is securely fitted with the Protective Insert in the tube facing outward from the building.
- b) For Face-Face installation position the top end of the inner control tube into the upper End Support (D1), slide the plain hole end of the Distance Keeper (W2) onto the lower end of the tube and attach to the lower Face Bracket with the Cross Clamp (G1), Figure 8.



ENG

Figure 8, Inner Control Tubes Face-Face



ATTENTION: To prevent abrasion and material fray ensure that the Protection Insert is fitted into the tube flutes and positioned at right angles to the building.

3. Hanging the Curtain

- 3.1 Fit the Kador Profile (F1) along the length of the installation on the front face of the top beam using the screws (b). The fasteners should be every 50cm along the length of the entire installation.

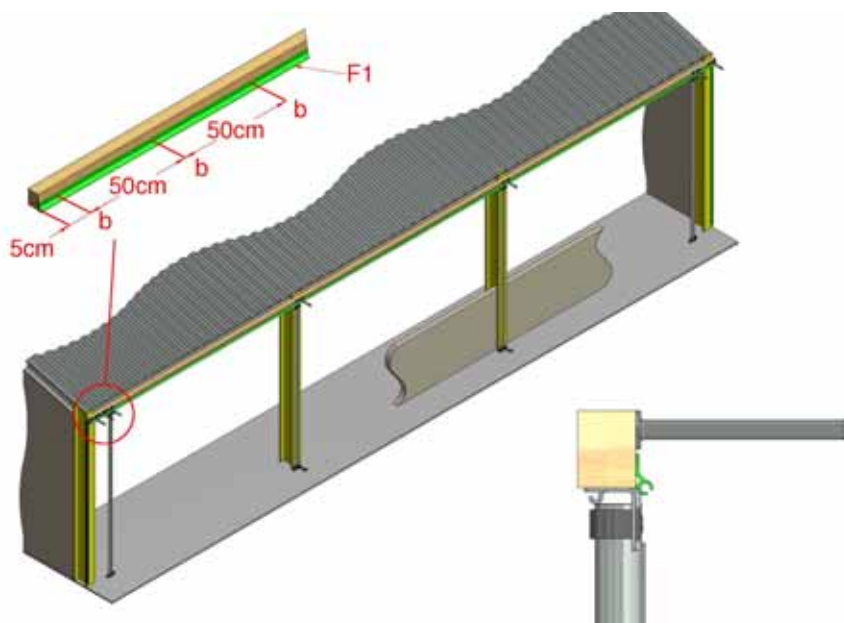


Figure 9, Fitting the Kador Profile

- 3.2 Take the upper kador edge of the Curtain (R1) and insert into the Kador Profile, gradually working the fabric down the length of the installation, Figure 10.

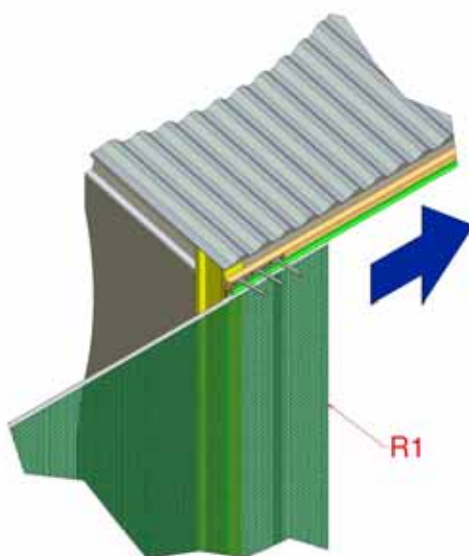


Figure 10, Inserting Curtain into Top Kador Profile

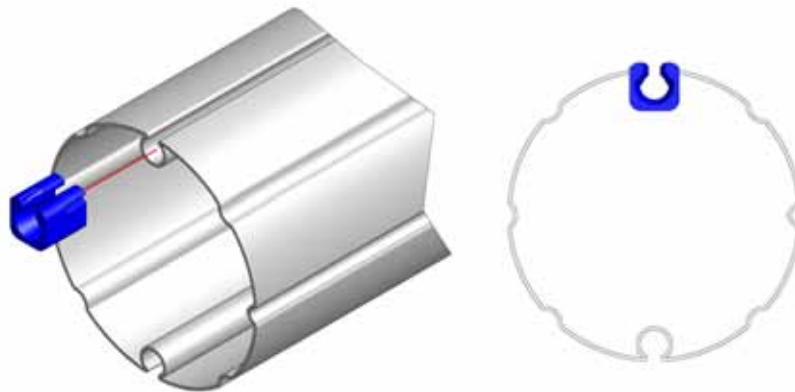
ENG



ATTENTION: Ensure that all burrs on the flutes are removed. Repeat this process on the bottom flute of the rolling tube in preparation for inserting the flap. It will also help to use some light oil or washing up liquid as a lubricant.

ENG

- 3.3 Push the Flute Guide Insert over the end of the flute in the tube to protect the fabric sheet as it is being fitted. When the fabric is inserted remove the Flute Guide Insert from the end of the flute.



- 3.4 Slide the Bottom Rolling Tubes (P1) on from the non-drive end, down towards the drive end, inserting a Tube Joiner (Q1) equally between each length of the rolling tube and fasten using stainless steel rivets (d), Figure 11. Cut the penultimate tube so that the last tube, at the non-drive end, is full length. The Drive end of the tube needs to end 6cm from the centreline of the middle upper Face Bracket (E1), Figure 12(i).

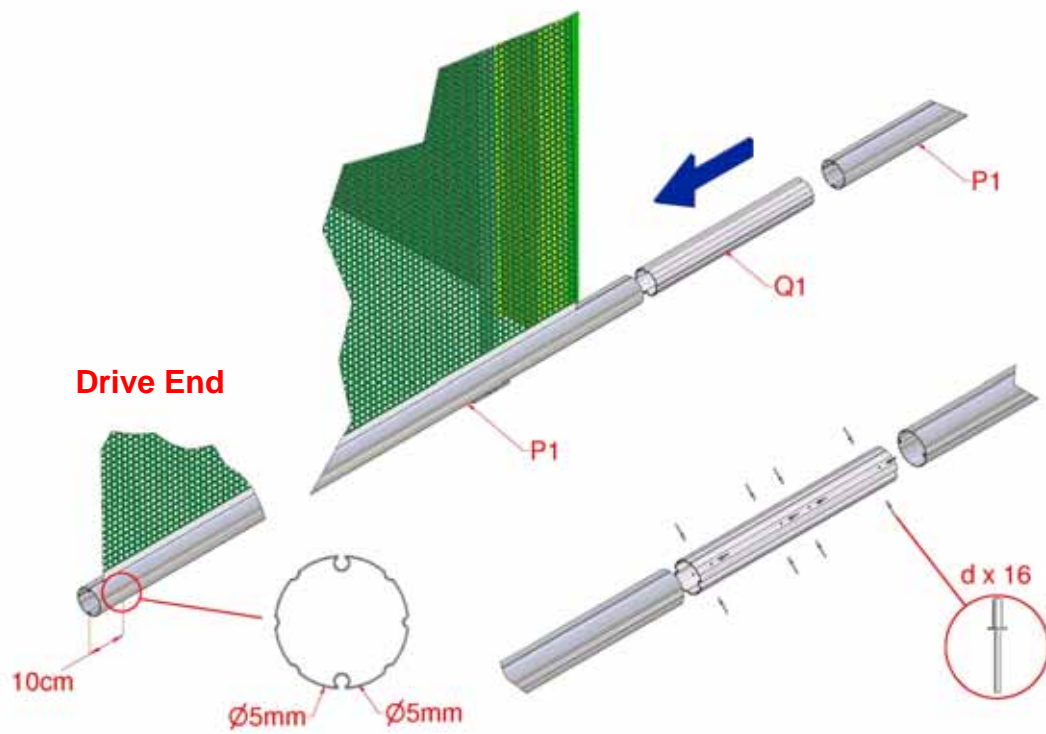


Figure 11, Inserting and Joining Rolling Tube

At the Drive end drill a 5mm drain hole each side of the bottom flute, 10cm from the end of the tube.

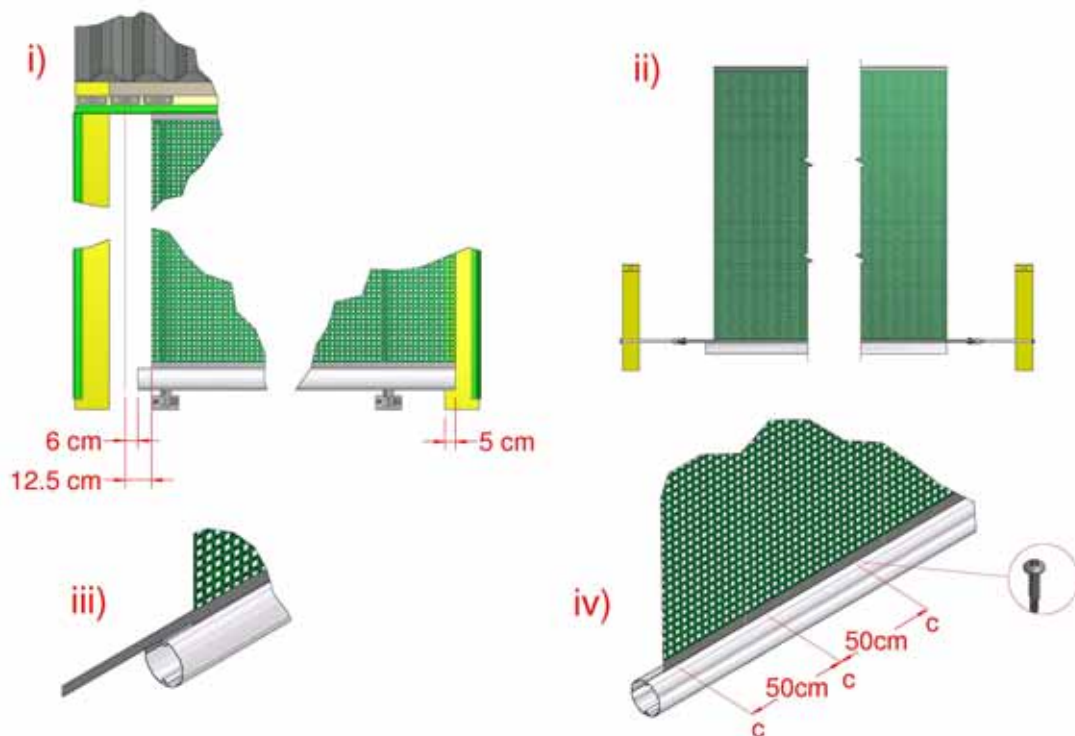


Figure 12, Tensioning Curtain

-
- 3.5 In all four corners of the Curtain are projecting kador straps of approx 1m in length which are used to tighten the Curtain, Figure 12(iii).
- a) The beading from the ends of the kador needs to be removed up to the edge of the Curtain leaving a 25mm strip at both ends
 - b) Attach the Ratchet Hook supplied to the right and left of the building at the height of the Kador Profile, Figure 12(ii). When tightening, ensure that only light tension is applied to the Curtain. Overstretching of the Curtain must be avoided.
 - c) The tightened kador must be permanently fixed at both ends using three self-tapping screws through the kador and tube flute spanning about 1m from the end, Figure 12(iv). Dismantle both ratchets and cut off the kador strips.
 - d) Repeat the tensioning of the Curtain for the Bottom Rolling Tube.
 - e) Leave the Curtain hanging in this condition for approx. 2 hours
- 3.6 Cut the Curtain to length to achieve an offset of 6.5cm from the end of the Bottom Rolling Tube at the drive end and flush on the free end. Cut the Bottom Flap (S1) to the same length as the Curtain and feed into the lower flute of the tube. Secure with a self-drilling screw each end, Figure 13.

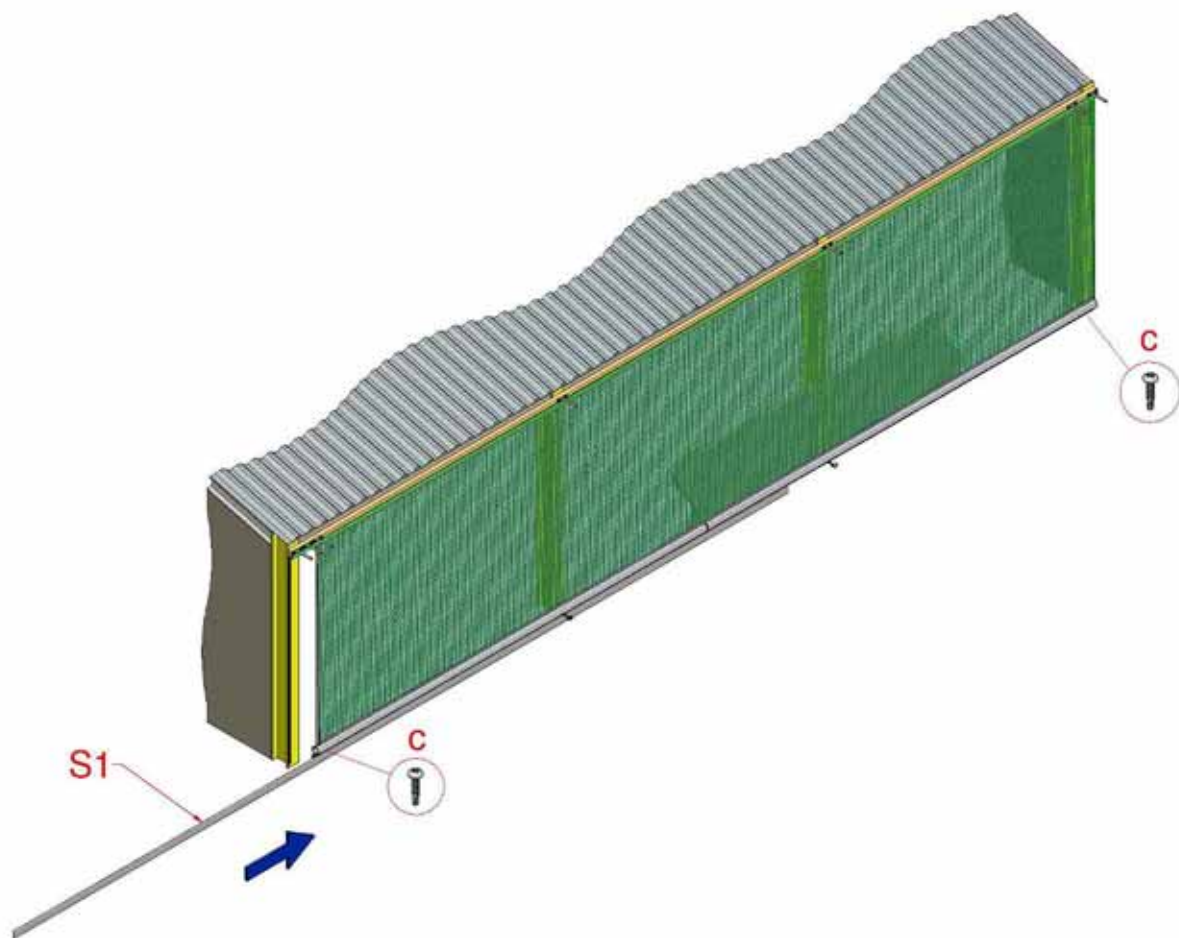


Figure 13, Fitting the Lower Flap

4. Torque Tubes and Drive

4.1 Cut the Torque Tubes (C1) to length and debur the ends as shown in Figure 14.

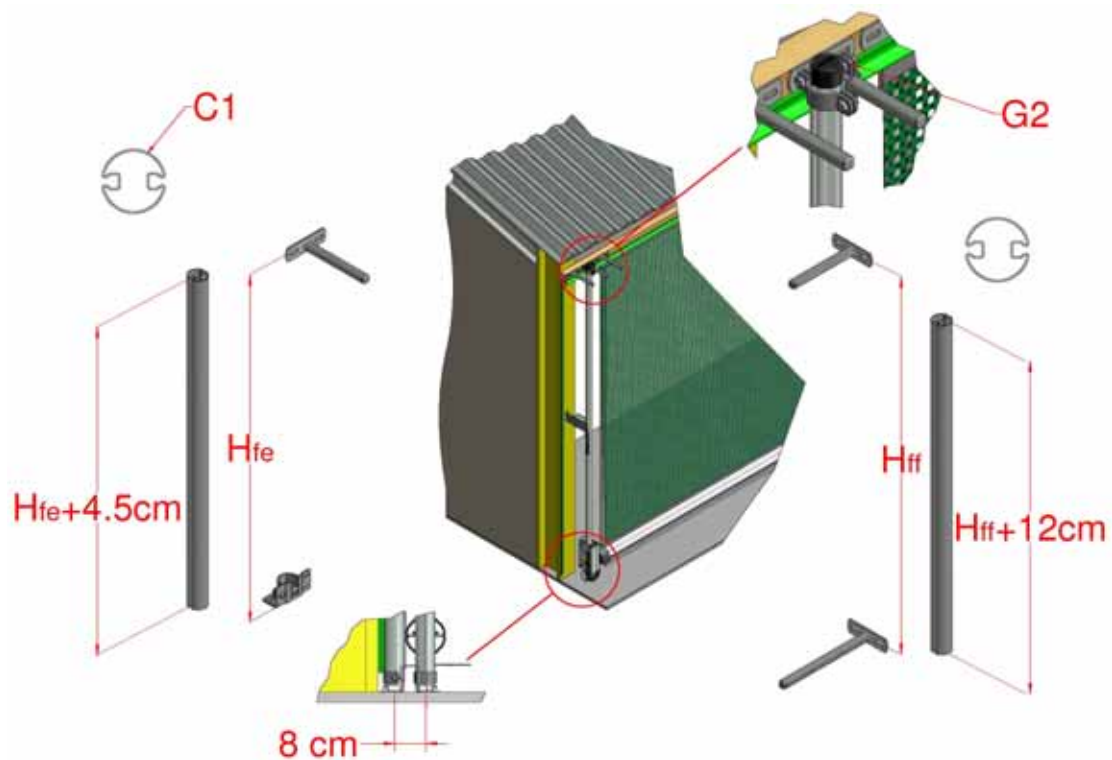
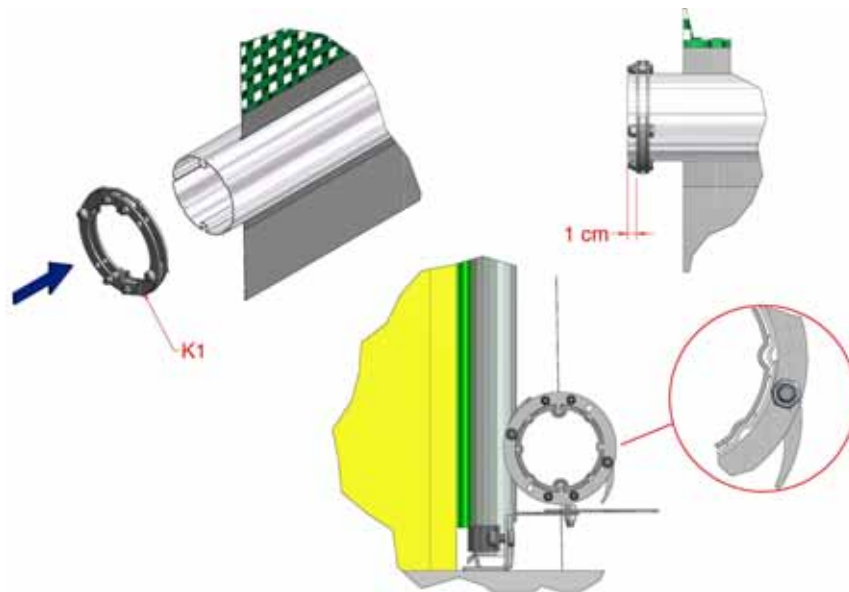


Figure 14, Torque Tube Installation

- a) For Face-End installation, slide the lower End Support (D1) onto the bottom of the Torque Tube (double flute with no protection insert). Attach the top of the tube to the middle of the three Face Brackets with the Crossover Clamp (G2) so that the tube is located on the outside of the Face Bracket, Figure 14. Pre-drill the holes into the floor for fixing so that the Torque Tube is centred 8cm from the centre of the inner Control Tube.
- 4.2 Slide the Safety Clutch (K1) onto the drive end of the Bottom Rolling Tube with the locating lugs aligned with the flutes in the tube and the direction of rotation as shown in Figure 15a (the safety pawls must open as shown).



ENG

Figure 15a, Safety Clutch

- 4.3 Assemble the Motor (A1) to the drive end Trolley Box (B1) using the M8x80 bolt and nyloc nut, Figure 15b. Fit the Energy Chain Bracket (L1) to the lower outside edge of the Trolley Box and insert the Motor and Trolley Box assembly into the drive end of the Bottom Rolling Tube. Secure the Safety Clutch to the tube with the two M4.2x32mm long self drilling screws (e) through the holes in the clutch plate spacers.

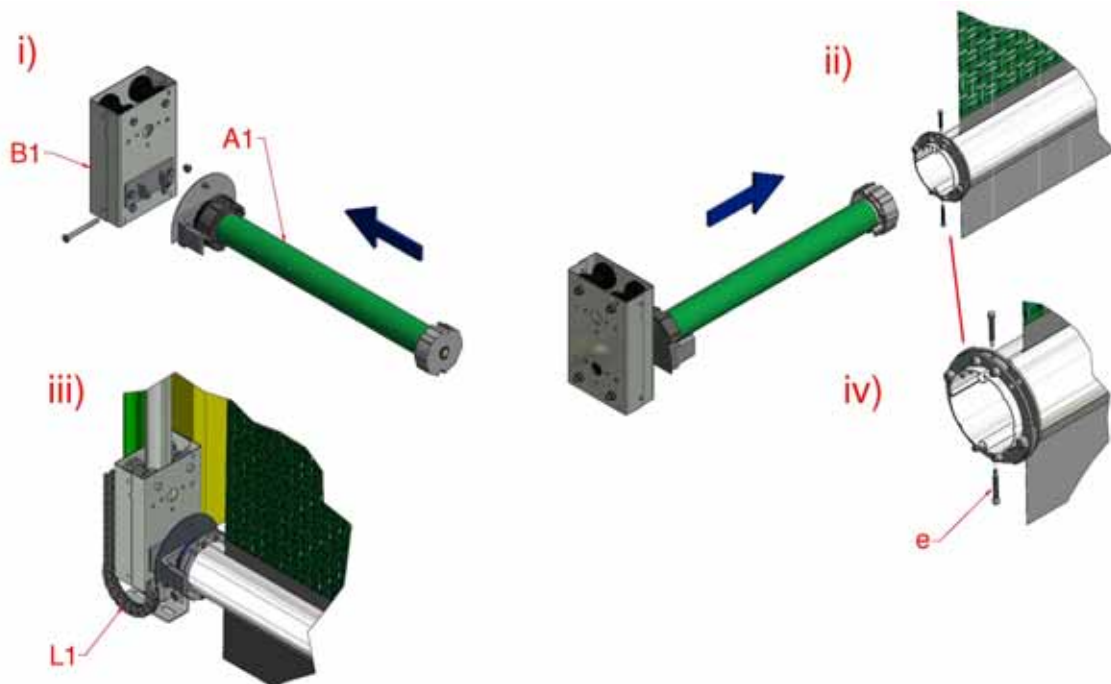


Figure 15b, Drive End Trolley Box

- 4.4 Insert the Torque Tube into the Trolley Box and loosely clamp the Torque Tube to the upper Face Bracket with the Crossover Clamp (G2).
- For Face-End installation fix the lower End Support to the pre-drilled holes in the floor and tighten the upper clamp so the tube is securely fitted.
 - For Face-Face installation fix the torque tube to the lower Face Bracket with the Crossover Clamp (G2).
- 4.5 The wire from the Motor is to be fed through the Energy Chain supplied and connected to the Energy Chain Bracket attached to the Trolley Box. The Energy Chain is to exit around the bottom of the Trolley Box and up to attach to a Chain Bracket fitted to the Junction Box Mounting Bracket (M1) positioned as shown in Figure 16, at height approximately in the centre of the Curtain.

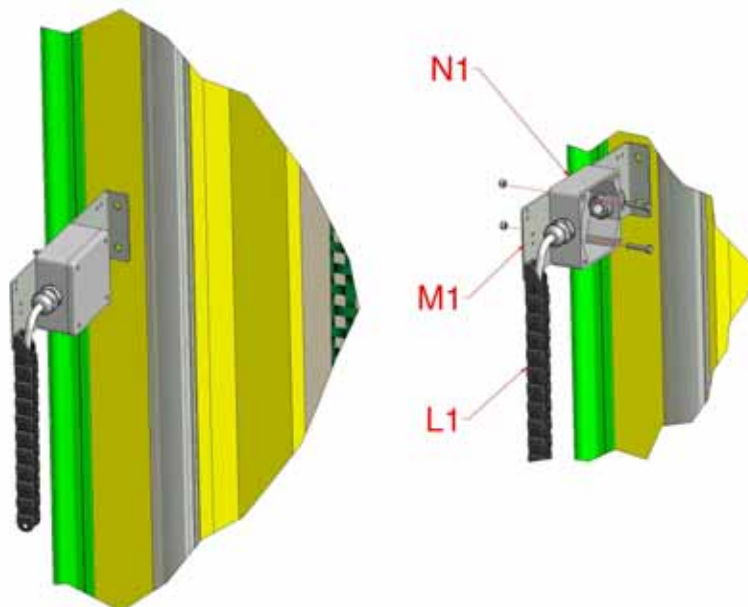


Figure 16, Junction Box Mounting

4.6 Single Switch Control

Referring to Figure 17a, connect the setting switch (Z2) to the motor cable matching the colour of the switch to that of the motor cable and hold the handset as shown.

Connect to 220V power supply and operate the system using the travel button.

ENG

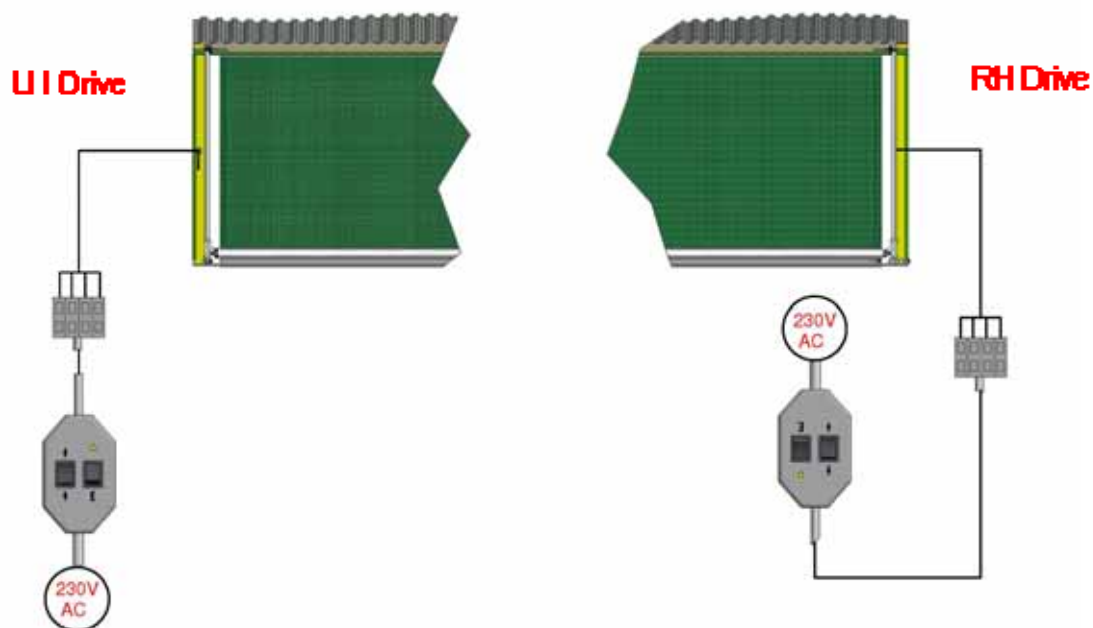


Figure 17a, Setting Switch

The motor will make a short stop after a start to indicate that the limits have not yet been set. Do not press the 'E' switch at this stage.



ATTENTION: When rolling the curtain the lower tube must roll up the outside of the sheet. Rolling up the inside of the curtain reduces the clearance when fully open and prevents the Safety Clutch from operating.

Double Switch Control

If your Multibay has been supplied with 2 motor control switches secure the control box, secondary switch, and wires (Z1) to the building. Ensure all wires exiting from the motor switches point down to form a drip-loop so that rain water cannot enter the motor or switches. To protect the circuit board we advise the control box is mounted inside the building

with the glands face downwards. Ensure all cable glands are correctly seated to prevent water ingress.

(If a switch is to be fitted at each end of the system a 3-core 1.5mm² cable will need to be attached to the building from the control box to the switch position)

ENG

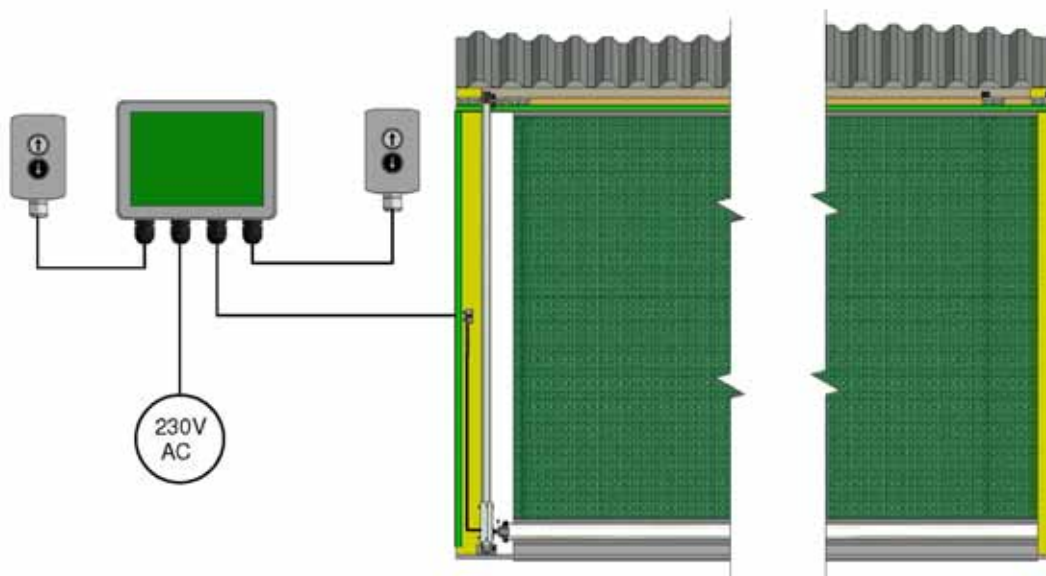





Figure 17b, Control Box Wiring

Wire the 4-core motor cable from the Junction Box (N1) into the control box (Z1) as detailed in Multiple Control Relay Instructions.

	ATTENTION: The power supply should be taken from a LOCKABLE isolation switch positioned within 3m from the motor.
	CAUTION: Switches controlling the curtain MUST be positioned in such a way that when in use the operator has full view of the curtain.

	ATTENTION: For safety reasons the Contactor Box (unit with circuit board inside) if supplied, MUST be mounted inside the building for protection.
---	--

- 4.7 Outer Control Tubes are required, (two at each end) and at all intermediate bay uprights. Cut the relevant tube to length as shown in Figure 18 and de-burr the ends of sharp edges. Cut and insert the Protective Insert to all intermediate tubes. All intermediate outer Control Tubes are double fluted. (The end Control Tubes are single fluted for heights less than 3m and double fluted for 3m and above).

ENG

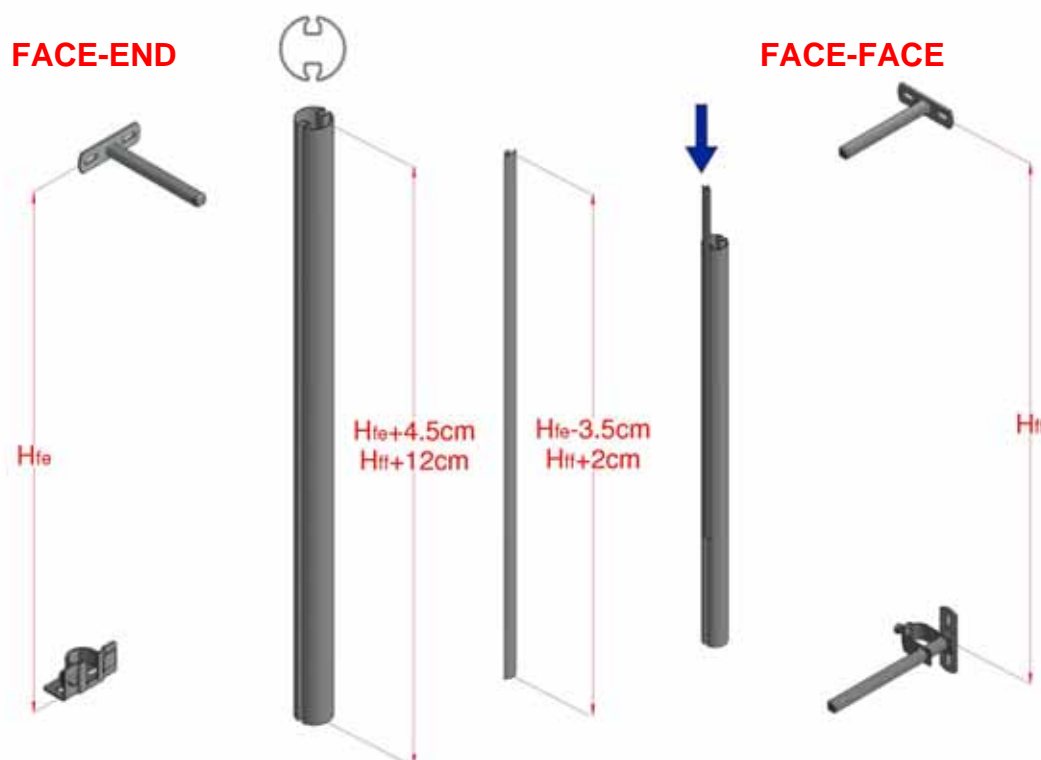


Figure 18, Outer Control Tube Assembly

NOTE: The control tubes that will eventually support the end covers are not to have protection insert fitted in the flute. The inner control tubes to support the inner end covers are not to be fitted at this time.

- 4.8 Fit all intermediate outer Control Tubes between the upper and lower brackets, not including those for the End Covers, as shown in Figure 19. Cut the fitted Face Brackets to length (if desired) and complete by fitting protective black caps (T1) to free ends of tubes

- a) For Face-End installation drill and fix the bottom End Support (D1) to the floor ensuring the centre distance between the inner and outer Control Tubes is 16cm. Pass the lower end of the Control Tube through the Distance Keeper (W2) and into the End Support. Attach to the upper Face Bracket with the Cross Clamp (G1) making sure the Protective Insert is against the Bottom Rolling Tube.
- b) For Face-Face installation pass the lower end of the tube through the Distance Keeper (W2) with the Protective Insert against the Bottom Rolling Tube, clamp the tube to the top and bottom Face Brackets with the Cross Clamps (G1).
- c) The centre distance between the inner and outer Control Tubes at the top is 19cm.

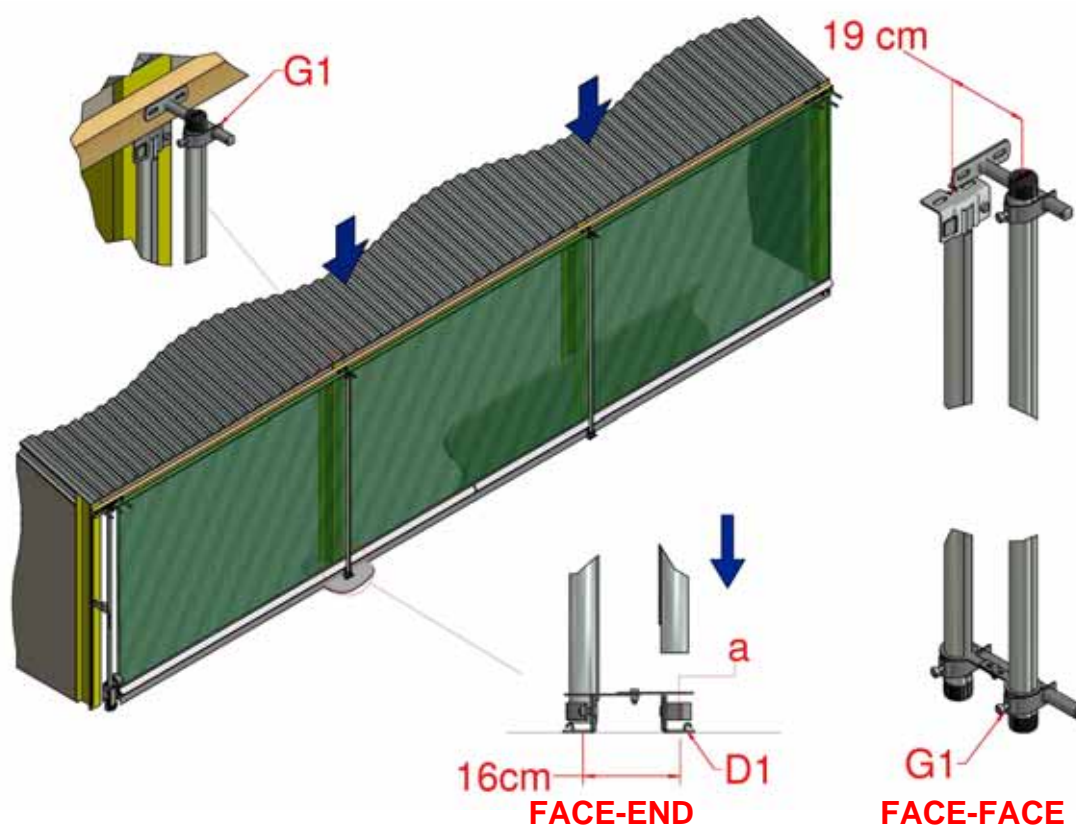


Figure 19, Outer Control Tube Installation



ATTENTION: To prevent abrasion and material fray ensure that the Protection Insert is fitted into the tube flutes and positioned facing the Curtain.

Note: If a Free End Trolley Box is being fitted please refer to Section 6.

4.9 *Setting the Limits – single switch/single motor*

Follow the Multiple Control Relay Instructions for double switch/double motor applications.

ENG

Press the 'E' Button for 6 seconds, the motor switches into the manual adjustment mode. A short stop after a start indicates adjustment mode.

Step 1: Close the system until it is fully down and press the 'E' button for 3 seconds, Figure 20a.

Step 2: Open the system so that the trolley box stops a minimum of 3cm below the upper cross clamps. Press the 'E' button for 3 seconds.



ATTENTION: When rolling the curtain the lower tube must roll up the outside of the sheet.

The limits are now set.

Wire the 4-core motor cable from the Junction Box (N1) into the control box (Z1) as detailed in Figure 21.

To adjust the limits the motor must be reset to adjustment mode. Press the 'E' button for 6 seconds – The motor will make a short stop after a start to indicate that the limits have been reset.

Single Switch Control

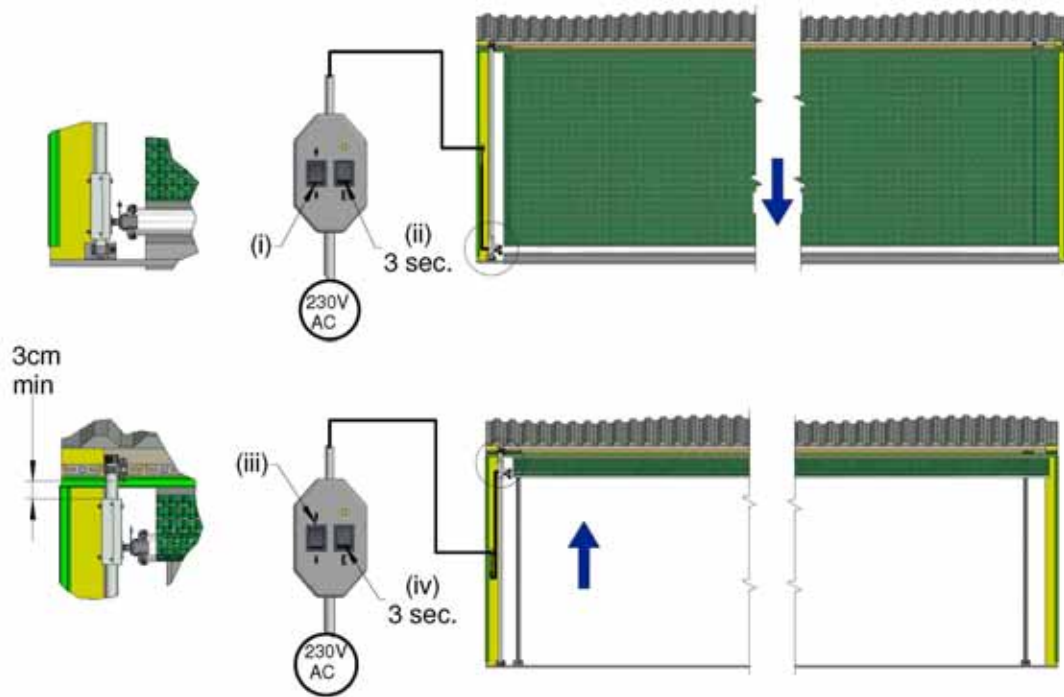


Figure 20a, Setting the limits (i)

Double Switch Control

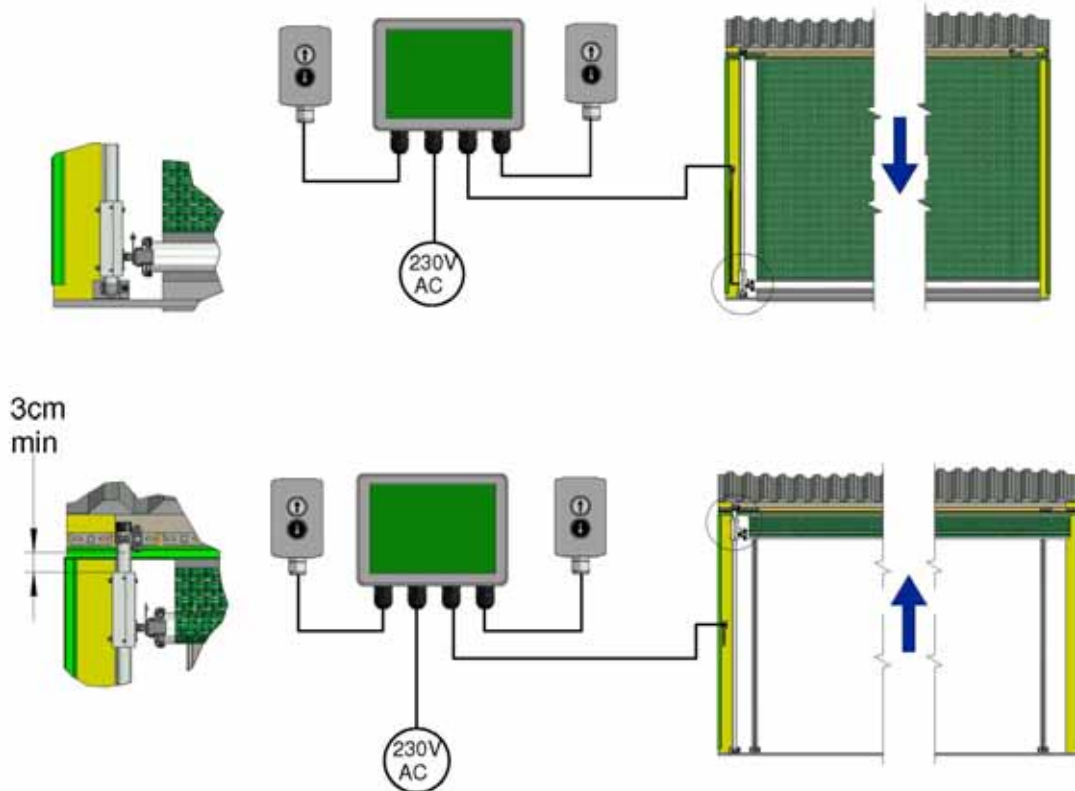


Figure 20b, Setting the limits (ii)

ENG

ENG

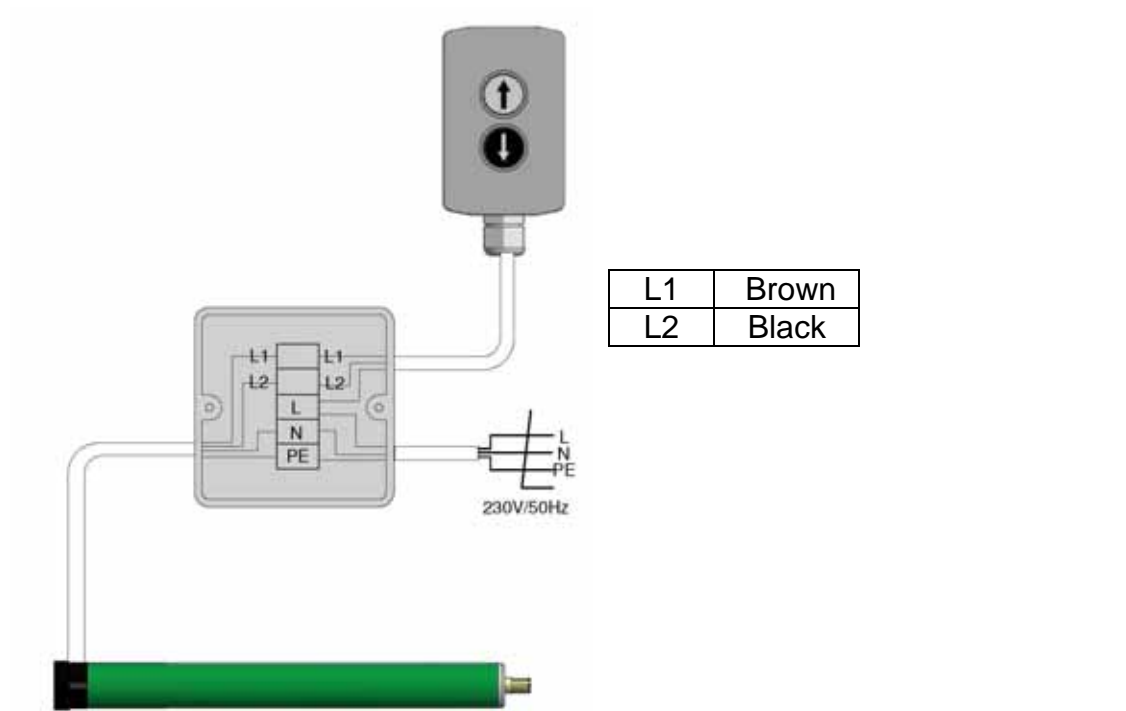


Figure 21a, Motor Left

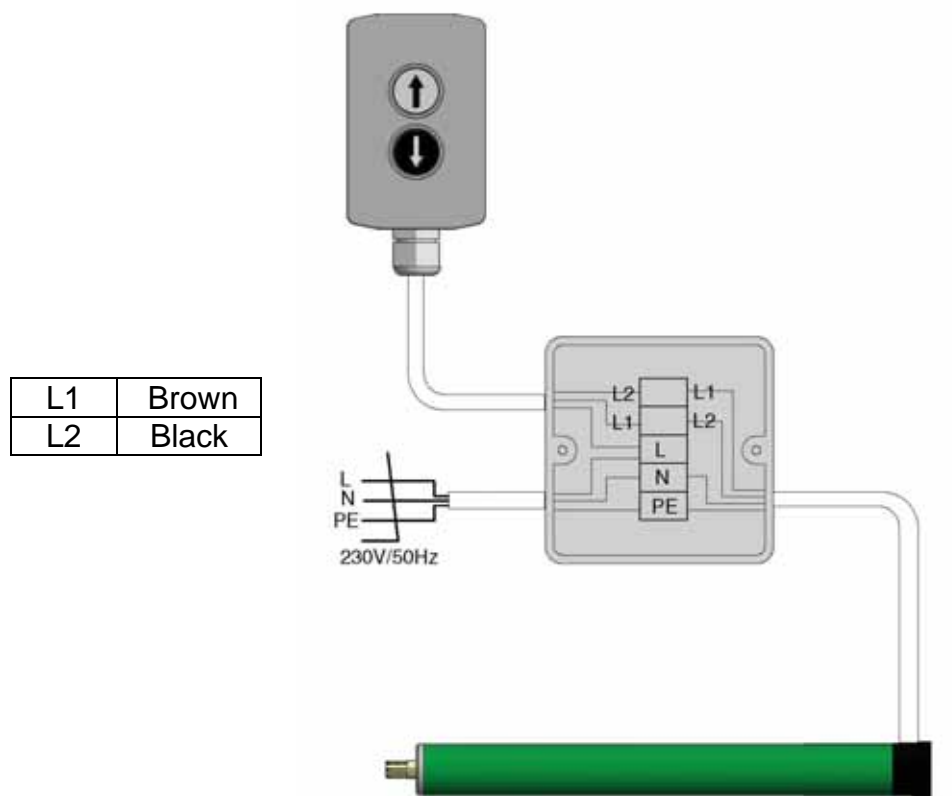


Figure 21b, Motor Right

4.10 Having finished the set up of the electric Motor, including the limit switches, the outer End Covers (V1) are to be installed, Figure 22. Slide the one kador edge of the Cover into the vertical profile (F1) on the building and the other into the flute of the Control Tube. The covers are tensioned vertically by hand and fixed using the same screwing method as used for the Curtain. By rotating the vertical tube that the Cover is attached to, transverse tension is created. Once tight the vertical tube can be clamped using the Crossover Clamps (G2) supplied.

ENG

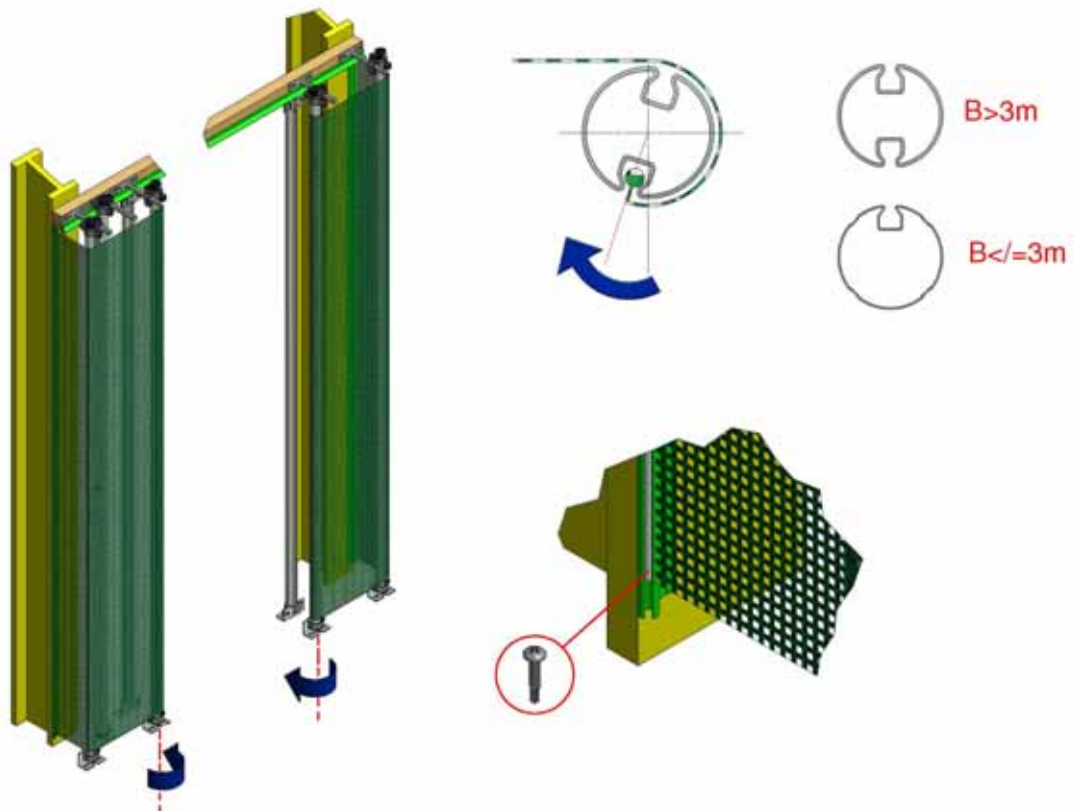


Figure 22, End Covers



ATTENTION: The Cover fabric must wrap around the vertical tube so that the Bottom Rolling Tube is in contact with the cover fabric and not the steel tube since this helps to protect the curtain fabric as it opens and closes.

Test operation:

- During a curtain opening/closing process check that the Curtain rolls smoothly
- Check that the top and bottom end limits are set correctly



ATTENTION: Operating the system when the curtain is frozen can damage the rolling action of the product.



ATTENTION: When the system is fully operational, open and close the curtain a number of times to make sure that the limits are working correctly.

4.12 Slide the Trolley Box Cover (O1) onto the Mounting Bracket and secure with the M6x16 set screw provided.

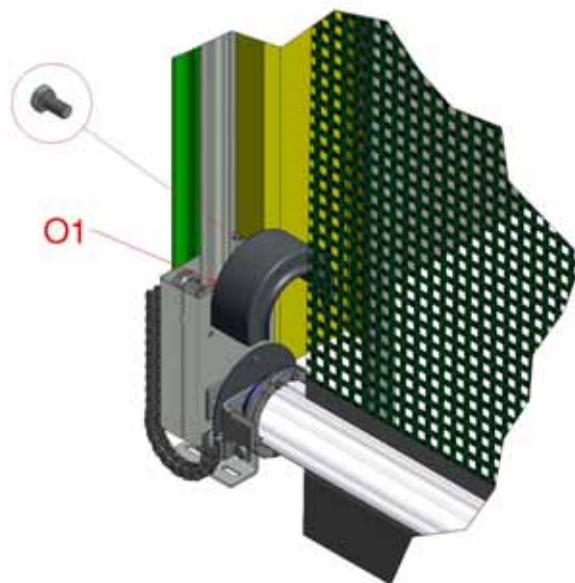


Figure 23, Trolley Box Cover



ATTENTION: Failure to fit the Motor Trolley Box Cover will result in water ingress into the motor with potential of motor failure.

5. Locking Catches

The Locking Catches must be fitted to each outer Control Tube. The catch is fitted to the RH side of the Control Tube on all but the RH end Control Tube.

ENG

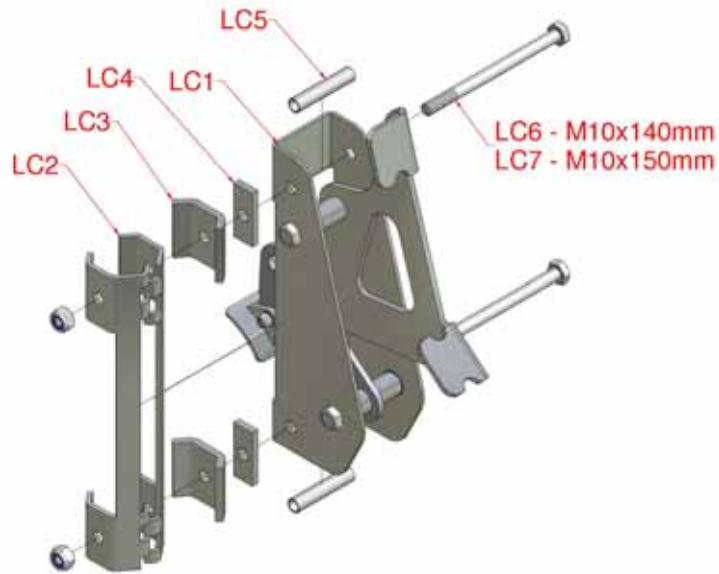


Figure 24, Locking catch

Ref.	Qty/ Intermediate	Qty/ LH End	Qty/ RH End	Description
LC1	1	1	1	Catch Assembly
LC2	2	0	0	Clamp Plate
LC3	2	4	4	Spacer Plate
LC4	0	2	4	Packer Plate
LC5	2	2	2	Spacer Tube
LC6	2	0	0	Mounting Bolt and Nut 140mm
LC7	0	2	2	Mounting Bolt and Nut 150mm

5.1 Intermediate Control tubes

- a) With the Catch in the neutral position, Figure 25(i) (i.e the roller in the middle stop on the track) hold the catch against the outer Control Tube with the shoe resting on the Bottom Rolling Tube and mark the mounting hole positions on the tube, Figure 25(ii).
- b) Place the two Clamp Plates around the Control Tube with the interlocking fingers locating in the outer flute of the tube, Figure 25(iii). Align the mounting holes with the marks made in 5.1(a)

above and using the Clamp Plates as a jig drill through form each side for an M10 bolt.

- c) Attach the Catch to the tube with the M10x140mm long bolts, placing Spacer Tubes inside the catch and Spacer Plates between the Catch and the Clamp Plates, Figure 25(iv).

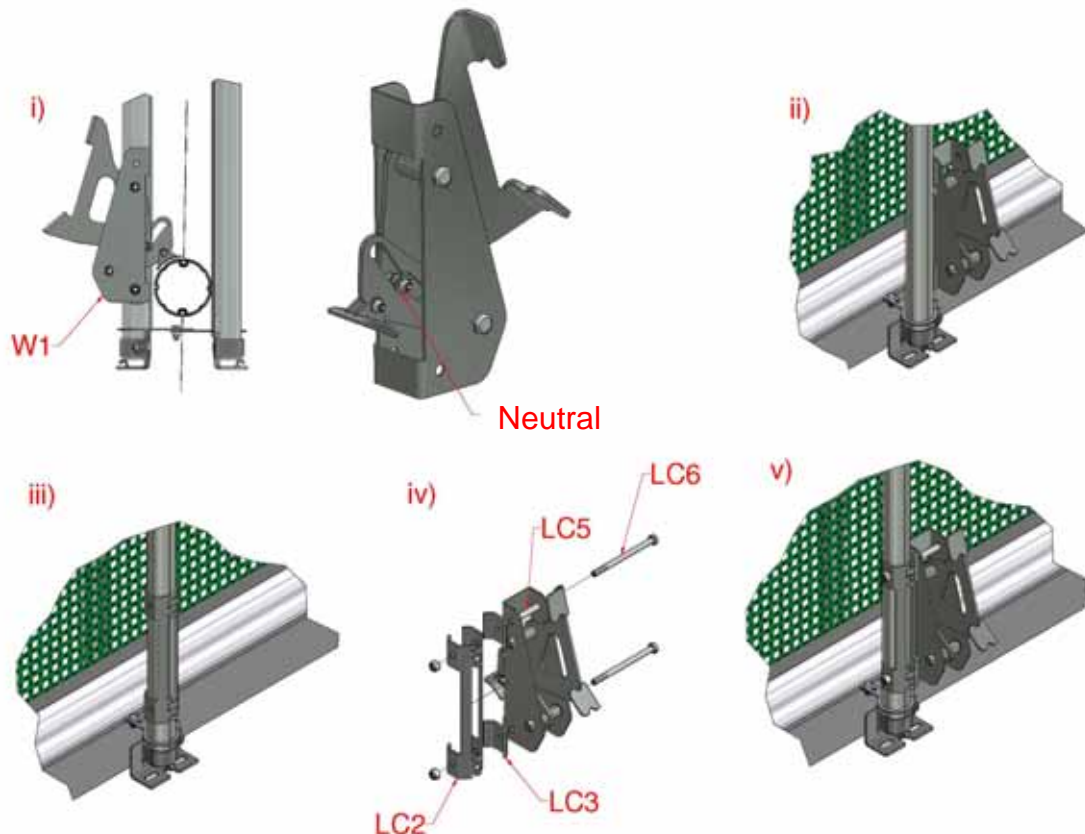


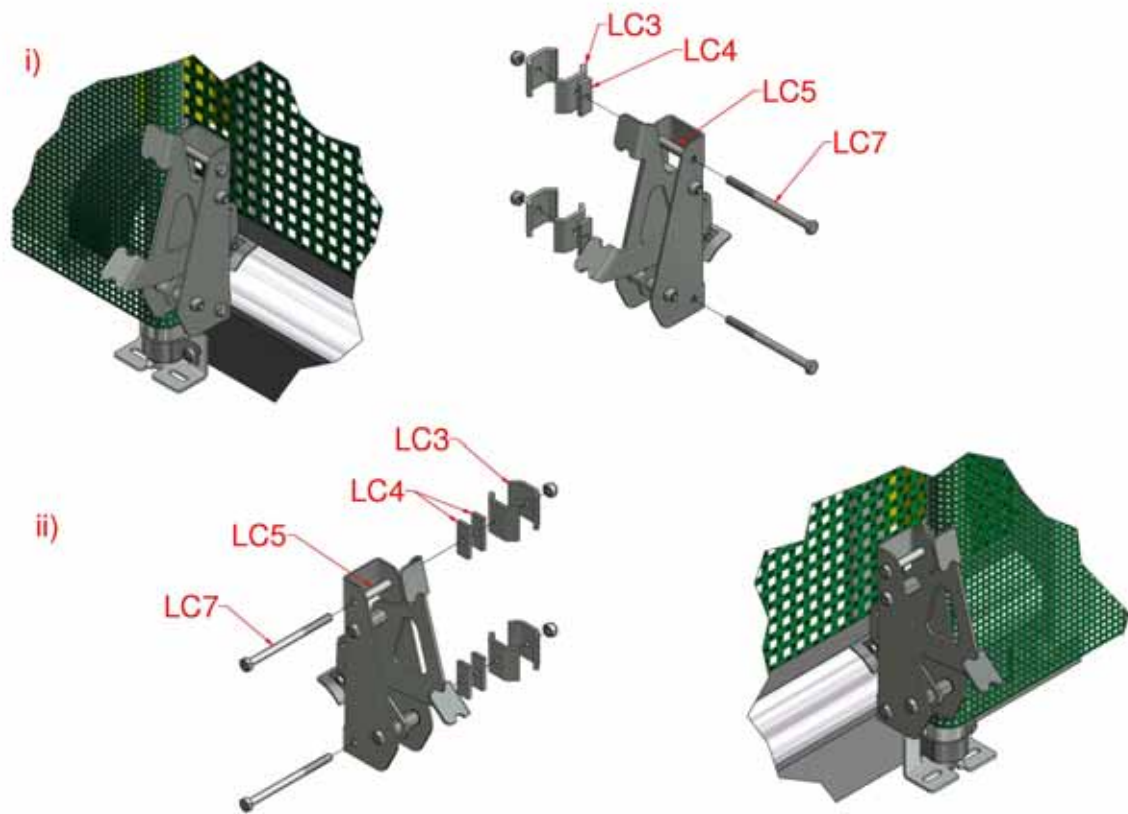
Figure 25, Intermediate Locking Catches

5.2 LH End Control Tube

For the LH end Control Tube hold the Catch in position and mark the mounting hole positions as before. Drill the M10 holes directly through tube and Cover and fit the Catch as before but with M10x150mm long bolts, a Packer Plate and a Spacer Plate each side of the tube, Figure 26(i).

5.3 RH End Control Tube

Repeat 5.2 for the RH control tube but fit two Packer Plates between the Catch and the Spacer Plate, Figure 26(ii).



ENG

Figure 26, End Locking Catches



ATTENTION: On windy days, the locking catches must be used otherwise the system could be damaged.

6 Installing Free End Trolley Box (Optional)

- 6.1 To fit the optional free end Trolley Box fit the additional Face Bracket(s) (E1) to the Free End, see Section 2.1. The end of the Bottom Rolling Tube needs to finish 2cm from the centre of the upper Face Bracket (E1) or 6.5cm from the centre of the Torque Tube as in Figure 27.
- 6.2 For Face-Face installation pre-drill the holes into the floor for fixing so that the Torque Tube is centred 8 cm from the centre of the inner Control Tube, Figure 27. Slide the free end Shaft into the end of the Bottom Rolling Tube and secure with two M4.2x19 self drilling screws.
- 6.3 Cut and fit the Torque Tube (C1) to the Free End as shown in Section 4.1, passing the Torque Tube through the Trolley Box. Place the end of the free end Shaft into the Cup Bracket on the Trolley Box and secure with the $\text{Ø}4 \times 75$ mm Split Pin supplied.

ENG

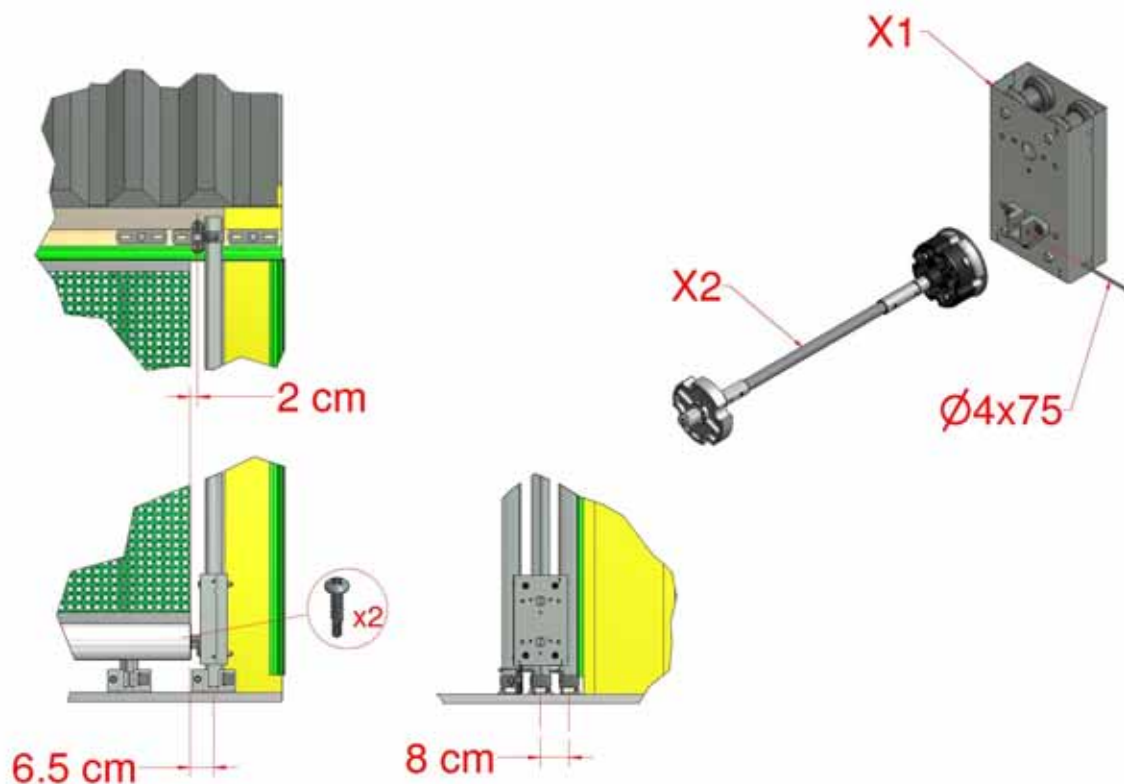


Figure 27, Free End trolley Box

7 CE Marking Electrically Operated Products under Machinery Directive

It is the responsibility of the installer to check that the installation conforms to the specific safety features detailed in the Manufacturer's Installation Instructions, to issue the CE Declaration of Conformity and mark a power operated product under the Machinery Directive 2006/42/EC. To do this you will require the following which should be delivered with the product:

ENG

- 1) This set of Installation Instructions (*operating and maintenance instructions*)
- 2) Maintenance Log Book, (*including Installation Checklist and Customer Declaration of Conformity*)
- 3) 1 x Declaration of Conformity (Installer Copy) – *to be completed*
- 4) A CE Label

When CE marking a power operated Galebreaker product, it is vital to follow the steps outlined below:

- a) Install the product as per instructions, with no adaptations or modifications and complete of the *Health and Safety Checklist* in the Maintenance Log Book.
- b) Complete the two 'Declarations of Conformity' using the following:
 - **Model Type:** As shown on CE Label
 - **Serial Number:** As shown on CE Label
 - **Installation Company:** Your company name
 - **Date Installed:** Date Installed
 - **Declaration made by:** Responsible Person
 - **Declaration and Instructions received by:** Customer's Signature
- c) Fix the supplied CE label to the bottom tube adjacent to the drive end cover. The label should be accessible / visible. Where the serial number does not incorporate the door size, add the Product width and Product height to the end of serial number using a permanent marker pen. i.e. the full serial number should read

Serial Number: 1234 / MBA L X B

[L] Product Length (m)

[B] Product Height (m)

ENG

- d) Your customer must be given a copy of the completed 'Maintenance Log Book' along with the 'Installation Instructions' supplied by Galebreaker. These should be stored adjacent to the door controls for reference purposes.
- e) Finally, ask your customer to sign the 'Declaration of Conformity' (Installer Copy). This important document must be filed back at the office of the installer for future reference



ATTENTION: Use of motors or controllers that are not supplied by Galebreaker, will make the installer the manufacturer (as defined by the Machine Directive 2006/42/EC) of the system and will require the installer to produce their own 'EC Declaration of Conformity' and product 'CE label'.

In such circumstances the door supplied by Galebreaker becomes a partly completed machine and therefore a Certificate of Incorporation can be supplied on request. The installer MUST NOT use the CE documentation supplied by Galebreaker.

OPERATION AND MAINTENANCE

8 How To Use Your Multibay

- 8.1 Press the UP or DOWN button on either of the Control Switches to move the Curtain into the required position.
- 8.2 When fully closed the Catches can be manually engaged to the locked position to prevent the Bottom Rolling Tube being lifted. On windy days the bottom tube must be tensioned down by fully depressing the Catch, Figure 28.

ENG

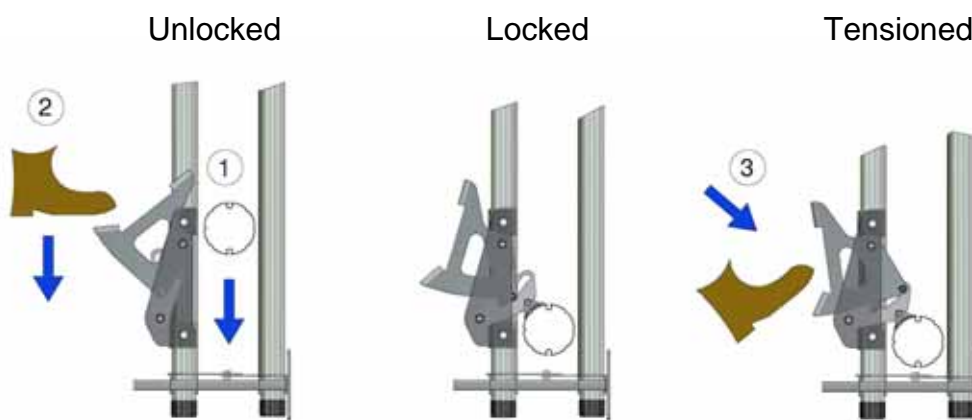


Figure 28, Locking the Curtain

- 8.3 To release the Catch kick the upper pedal to release the tension and continue to push until the pedal engages on the detent and remains open, Figure 29.

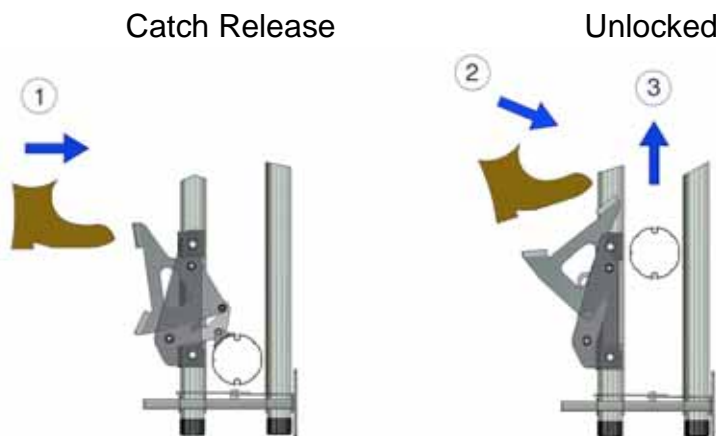
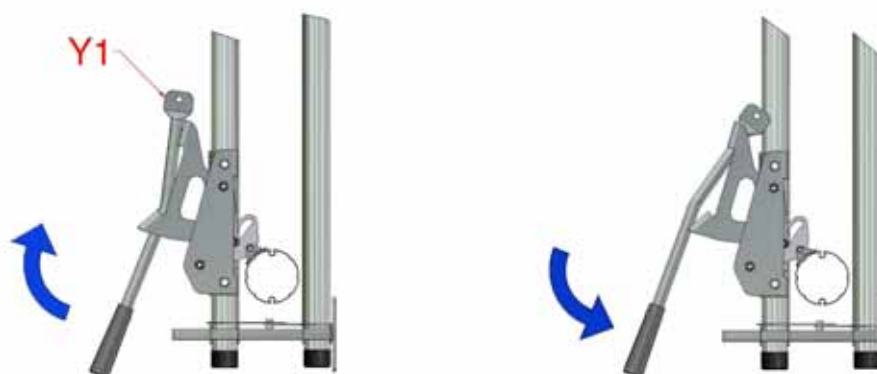


Figure 29, Unlocking the Curtain

- 8.4 If the Multibay is fitted above a barrier then the Locking Catches will need to be operated by hand with the help of the locking catch lever (Y1), Figure 30.



ENG

Figure 30, Locking Catch Hand Operation



ATTENTION: Operating the system when the curtain is frozen can damage the rolling action of the product.

Important Safety Information

- This door must only be operated by users familiar with its operation.
- When operating the door do not place fingers near any moving parts at any time.
- The person operating the door must have the door in sight at all times during its operation and ensure it is clear of personnel.
- Do not permit children to play with the door or its electrical controls.
- Do not modify or attach any objects to the door as this may cause damage and/or injury.
- Operate the door only when properly adjusted and free from obstructions.
- Should the door become difficult to operate or inoperable, consult your local dealer. Repairs should only be carried out by competent personnel.

9 Maintenance of your System

- Check your system annually for corrosion of the supporting bolts and the Control Tubes in general. Replace suspect items to ensure the system is safe for use.
- Check annually the electrical cables for damage. Use a qualified electrician for any repairs.

- The Motor and controls are maintenance free items.
- Should curtain material be damaged, repair with special repair kit (code SPS-99) available from your Galebreaker dealer, importer or head office.
- If the Locking Catch detent should wear preventing the catch from remaining in the unlocked position, the Roller Pivot Pin can be adjusted to increase the detent force. Slacken off the Pin Lock Nut and rotate the Roller Pivot Pin 1/8 of a turn, Figure 31. Tighten the Pin lock Nut and test, repeat if necessary.

ENG

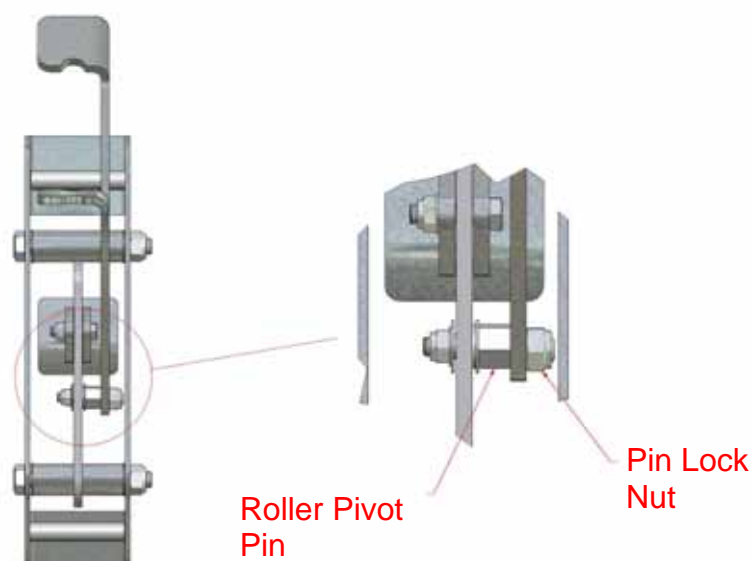


Figure 31, Catch Detent Adjustment

10 How to dismantle your Multibay

Follow the installation instructions in reverse order.

NOTE: This product has been designed and tested to European Standard EN 13241-1 with a resistance to wind load rating of Class 4. Tried and tested in the harshest weather conditions, a summary of our guarantee is as follows, see our website for full details:

- **Mechanical components:** 100% guarantee for two years, followed by an eight year graduated guarantee.
- **Electrical components:** 100% guarantee for two years, followed by a four year graduated guarantee.

ENG

RAIN INGRESS: Please note that in extreme weather conditions some moisture will penetrate a mesh material.

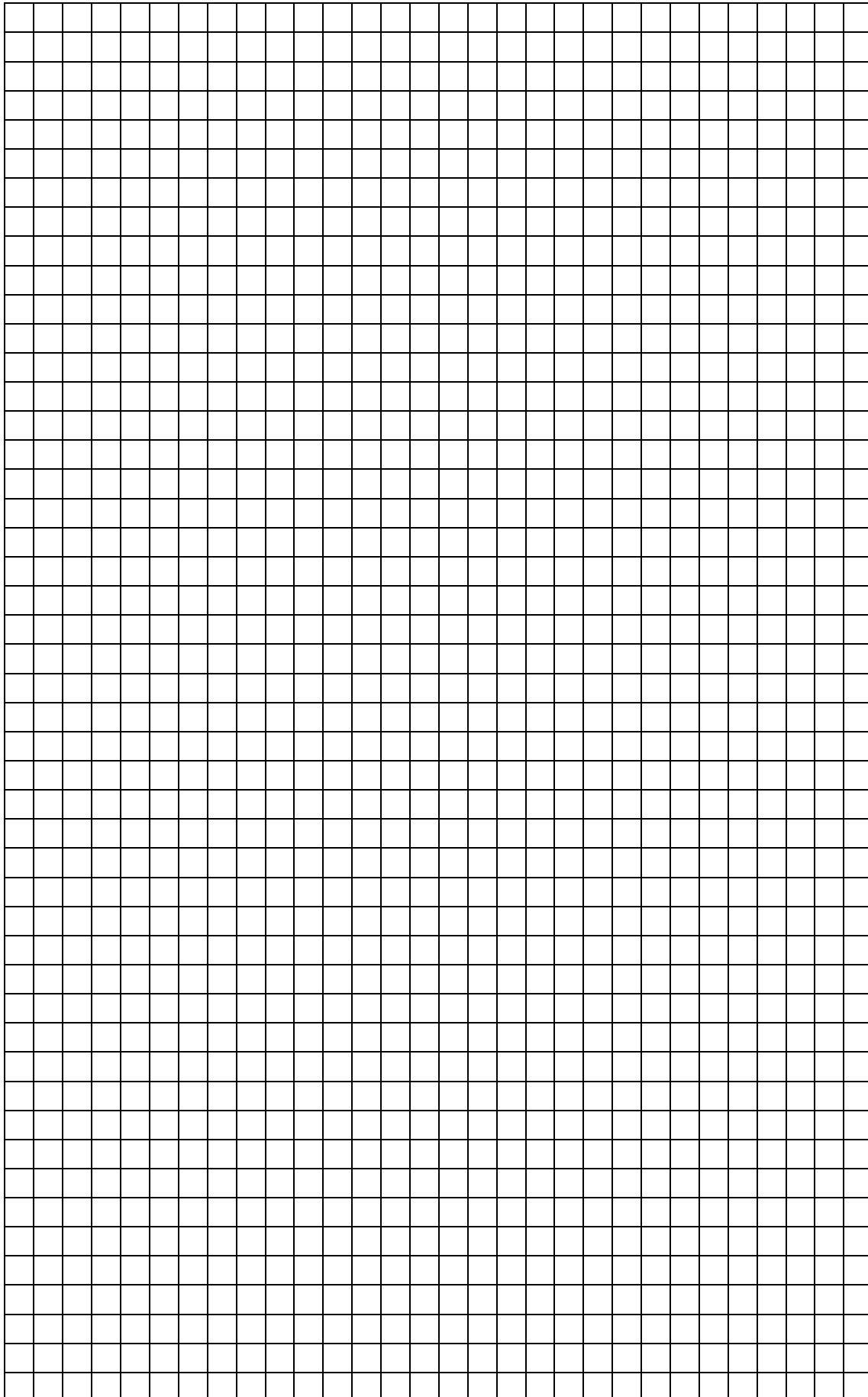
Wind Load Resistance:

Mesh 75% Solid

Up to 4m high = Class 4

Solid Material

Up to 4m high = Class 4



ENG



Manufacturer: Galebreaker Agri Ltd
Galebreaker House
New Mills Industrial Estate
Ledbury
Herefordshire, UK
HR8 2SS

Tel: +44 (0) 1531 637 900

Fax: +44 (0) 1531 637 901

www.galebreaker.com

Designed and Manufactured in the UK by Galebreaker Agri Ltd.

Original Instructions

© Copyright Galebreaker Agri Ltd 2017. All Rights reserved.

Model Number MB-BR-E/MK5/1712

Instruction Ver: 2017/12/ENG